



COMPACT



FC Series: Compact stainless steel cabinet - 1 door IP66

The FC Compact series of stainless steel cabinets has been manufactured in compliance with the most recent international standards, with completely innovative construction design, performing solidity, protection and cleanliness. Available in single or double door configuration. The removable and replaceable rear side with a door and the scotch-brite finishing are among the main characteristics of the FL series, being therefore the ideal solution for applications in aggressive settings typical of the food, chemical, pharmaceutical or outdoor applications. **Of course it is possible to supply tailor-made cabinets in accordance to customers needs.** Doors with transparent 3 + 3mm safety glass are available upon request.



DEGREE OF PROTECTION AND REFERENCE STANDARDS

IP66 IK10
NEMA TYPE 1, 12, 4, 4X

89/392/EEC

EN 62208 : 2011

UL 508 A
NEMA STANDARD PUBLICATION 250

EN 60529/09.200
EN 50102/05.96



FC Series: Compact stainless steel cabinet - 2 doors IP55



Compact
Compact cabinets

DEGREE OF PROTECTION AND REFERENCE STANDARDS

IP55 IK10
NEMA TYPE 1, 12

89/392/EEC

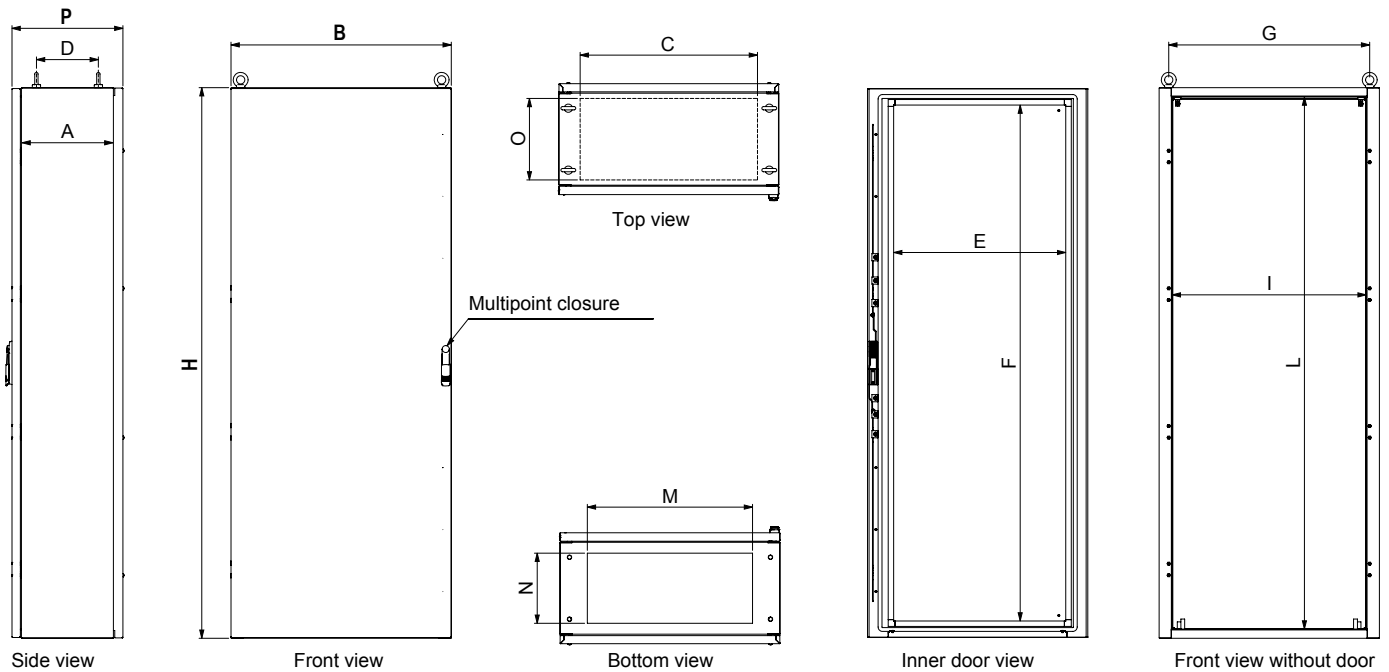
EN 62208 : 2011

UL 508 A
NEMA STANDARD PUBLICATION 250

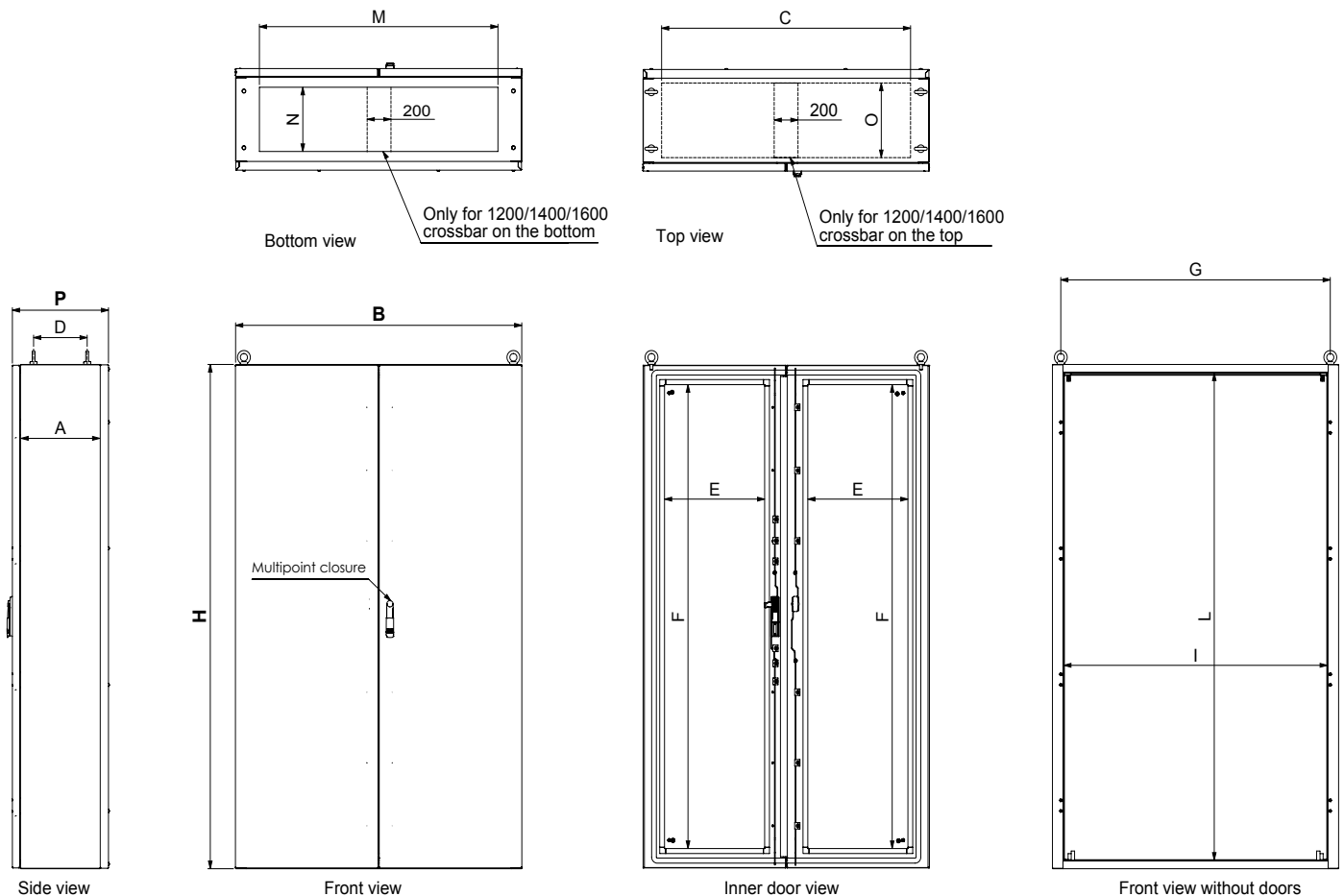
EN 60529/09.200
EN 50102/05.96



1 door cabinet



2 doors cabinet

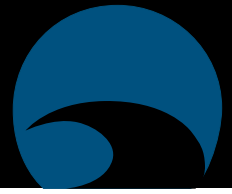




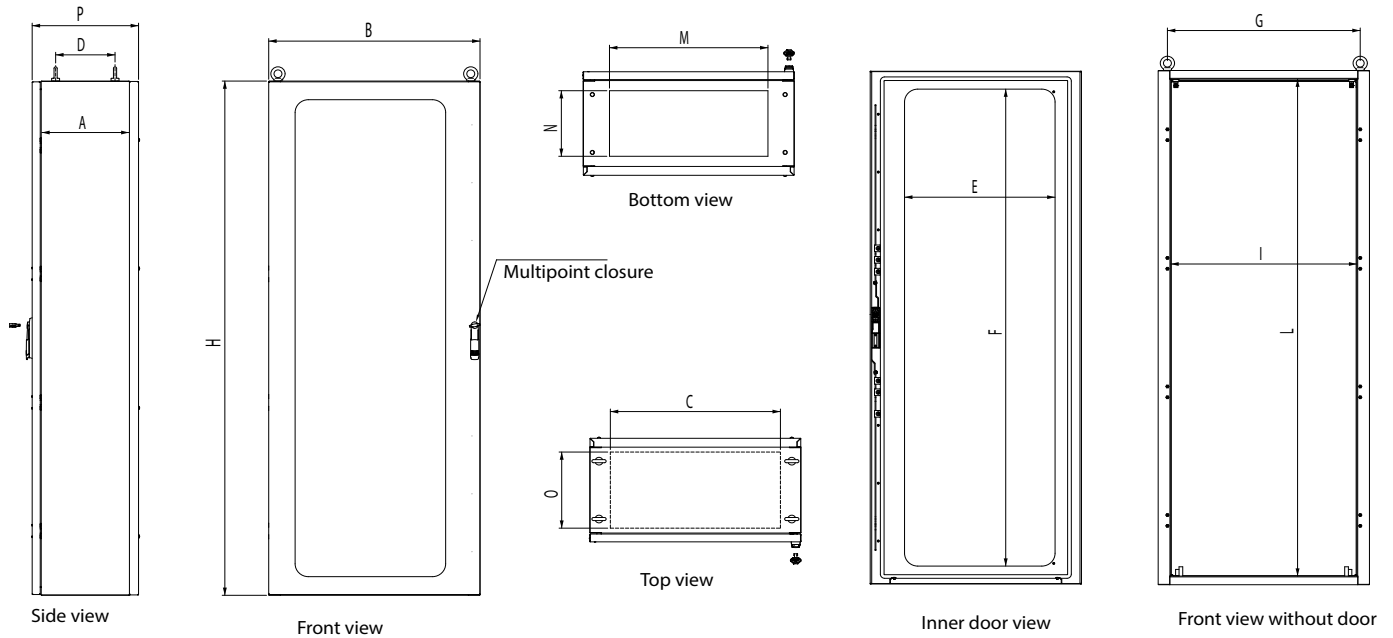
FC – SOLID DOOR CABINETS

CODE	Dimensions			Weight Kg	Volume m³	Available area for door drilling		Available width for side drilling			Bottom cabinet accessible area		Top cabinet accessible area		Front cabinet accessible area		Eyebolts distance		Heat load dissipation
	B	H	P			E	F	A	M	N	C	O	I	L	G	D			
FC6018040	610	1800	400	95	0,432	420	1640	330	350	235	390	295	480	1715	544	250	173W		
FC6018050	610	1800	500	105	0,540	420	1640	430	350	330	390	395	480	1715	544	350	194W		
FC6018060	610	1800	600	115	0,648	420	1640	530	350	430	390	495	480	1715	544	450	214W		
FC8018040	810	1800	400	125	0,576	620	1640	330	550	235	590	295	680	1715	744	250	211W		
FC8018050	810	1800	500	130	0,720	620	1640	430	550	330	590	395	680	1715	744	350	233W		
FC8018060	810	1800	600	135	0,864	620	1640	530	550	430	590	495	680	1715	744	450	255W		
FC10018040	1010	1800	400	140	0,720	820	1640	330	750	235	790	295	880	1715	944	250	248W		
FC10018050	1010	1800	500	150	0,900	820	1640	430	750	330	790	395	880	1715	944	350	272W		
FC10018060	1010	1800	600	160	1,080	820	1640	530	750	430	790	495	880	1715	944	450	296W		
FC12018040*	1224	1800	400	180	0,864	420	1640	330	440x2	235	435x2	295	1090	1715	1158	250	286W		
FC12018050*	1224	1800	500	185	1,080	420	1640	430	440x2	330	435x2	395	1090	1715	1158	350	311W		
FC12018060*	1224	1800	600	190	1,296	420	1640	530	440x2	430	432x2	495	1090	1715	1158	450	337W		
FC14018040*	1424	1800	400	195	1,008	520	1640	330	480x2	235	535x2	295	1290	1715	1358	250	323W		
FC14018050*	1424	1800	500	205	1,260	520	1640	430	480x2	330	535x2	395	1290	1715	1358	350	350W		
FC14018060*	1424	1800	600	215	1,512	520	1640	530	480x2	430	535x2	495	1290	1715	1358	450	370W		
FC16018040*	1624	1800	400	220	1,152	620	1640	330	580x2	235	635x2	295	1490	1715	1558	250	360W		
FC16018050*	1624	1800	500	235	1,440	620	1640	430	580x2	330	635x2	395	1490	1715	1558	350	389W		
FC16018060*	1624	1800	600	250	1,728	620	1640	530	580x2	430	635x2	495	1490	1715	1558	450	418W		
FC6020040	610	2000	400	110	0,480	420	1840	330	350	235	390	295	480	1915	544	250	190W		
FC6020050	610	2000	500	115	0,600	420	1840	430	350	330	390	395	480	1915	544	350	213W		
FC6020060	610	2000	600	120	0,720	420	1840	530	350	430	390	495	480	1915	544	450	253W		
FC8020040	810	2000	400	130	0,640	620	1840	330	550	235	590	295	680	1915	744	250	231W		
FC8020050	810	2000	500	140	0,800	620	1840	430	550	330	590	395	680	1915	744	350	255W		
FC8020060	810	2000	600	150	0,960	620	1840	530	550	430	590	495	680	1915	744	450	279W		
FC10020040	1010	2000	400	155	0,800	820	1840	330	750	235	790	295	880	1915	944	250	272W		
FC10020050	1010	2000	500	160	1,000	820	1840	430	750	330	790	395	880	1915	944	350	298W		
FC10020060	1010	2000	600	165	1,200	820	1840	530	750	430	790	495	880	1915	944	450	323W		
FC12020040*	1224	2000	400	190	0,960	420	1840	330	440x2	235	435x2	295	1090	1915	1158	250	313W		
FC12020050*	1224	2000	500	200	1,200	420	1840	430	400x2	330	435x2	395	1090	1915	1158	350	340W		
FC12020060*	1224	2000	600	210	1,440	420	1840	530	440x2	430	432x2	495	1090	1915	1158	450	367W		
FC14020040*	1424	2000	400	215	1,120	520	1840	330	480x2	235	535x2	295	1290	1915	1358	250	354W		
FC14020050*	1424	2000	500	230	1,400	520	1840	430	480x2	330	535x2	395	1290	1915	1358	350	383W		
FC14020060*	1424	2000	600	245	1,680	520	1840	530	480x2	430	535x2	495	1290	1915	1358	450	400W		
FC16020040*	1624	2000	400	250	1,280	620	1840	330	580x2	235	635x2	295	1490	1915	1558	250	394W		
FC16020050*	1624	2000	500	260	1,600	620	1840	430	580x2	330	635x2	395	1490	1915	1558	350	425W		
FC16020060*	1624	2000	600	270	1,920	620	1840	530	580x2	430	635x2	495	1490	1915	1558	450	456W		

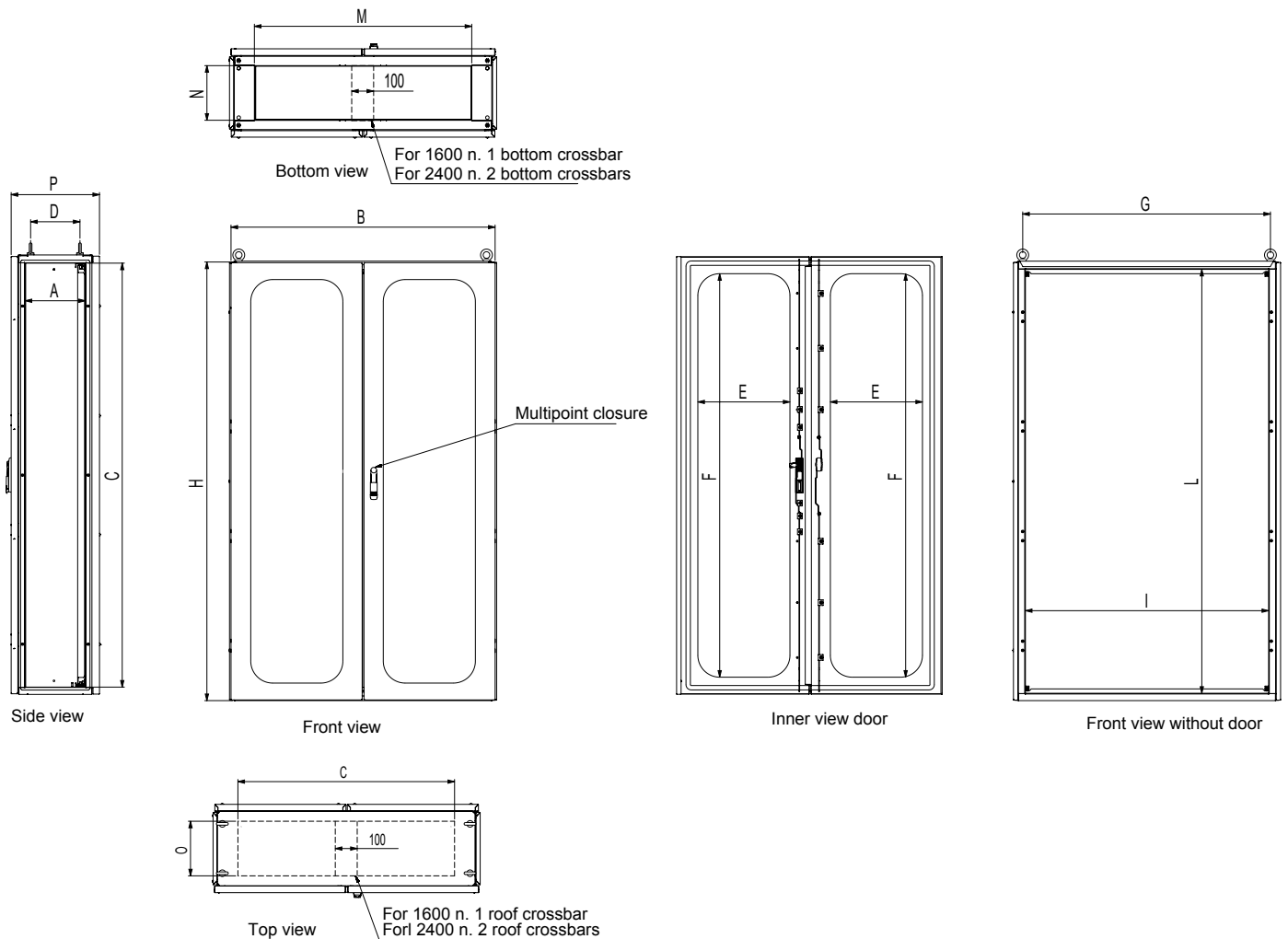
* CABINETS WITH 2 DOORS
B=Base H=Height P=Depth



Cabinets with 1 glazed door



Cabinets with 2 glazed doors

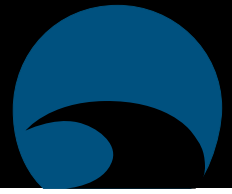




FC - GLAZED DOOR CABINETS

CODE	Dimensions			Weight Kg	Volume m³	Available transparent area		Available width for side drilling A	Bottom cabinet accessible area		Top cabinet accessible area		Front cabinet accessible area		Eyebolts distance		Heat load dis- sipation
	B	H	P			E	F		M	N	C	O	I	L	G	D	
FCV6018040	610	1800	400	95	0,432	400	1685	330	350	235	390	295	480	1715	544	250	173W
FCV6018050	610	1800	500	105	0,540	400	1685	430	350	330	390	395	480	1715	544	350	194W
FCV6018060	610	1800	600	115	0,648	400	1685	530	350	430	390	495	480	1715	544	450	214W
FCV8018040	810	1800	400	125	0,576	570	1685	330	550	235	590	295	680	1715	744	250	211W
FCV8018050	810	1800	500	130	0,720	570	1685	430	550	330	590	395	680	1715	744	350	233W
FCV8018060	810	1800	600	135	0,864	570	1685	530	550	430	590	495	680	1715	744	450	255W
FCV10018040	1010	1800	400	140	0,720	770	1685	330	750	235	790	295	880	1715	944	250	248W
FCV10018050	1010	1800	500	150	0,900	770	1685	430	750	330	790	395	880	1715	944	350	272W
FCV10018060	1010	1800	600	160	1,080	770	1685	530	750	430	790	495	880	1715	944	450	296W
FCV12018040*	1224	1800	400	180	0,864	400	1685	330	440x2	235	435x2	295	1090	1715	1158	250	286W
FCV12018050*	1224	1800	500	185	1,080	400	1685	430	440x2	330	435x2	395	1090	1715	1158	350	311W
FCV12018060*	1224	1800	600	190	1,296	400	1685	530	440x2	430	432x2	495	1090	1715	1158	450	337W
FCV14018040*	1424	1800	400	195	1,008	500	1685	330	480x2	235	535x2	295	1290	1715	1358	250	323W
FCV14018050*	1424	1800	500	205	1,260	500	1685	430	480x2	330	535x2	395	1290	1715	1358	350	350W
FCV14018060*	1424	1800	600	215	1,512	500	1685	530	480x2	430	535x2	495	1290	1715	1358	450	370W
FCV16018040*	1624	1800	400	220	1,152	600	1685	330	580x2	235	635x2	295	1490	1715	1558	250	360W
FCV16018050*	1624	1800	500	235	1,440	600	1685	430	580x2	330	635x2	395	1490	1715	1558	350	389W
FCV16018060*	1624	1800	600	250	1,728	600	1685	530	580x2	430	635x2	495	1490	1715	1558	450	418W
FCV6020040	610	2000	400	110	0,480	400	1885	330	350	235	390	295	480	1915	544	250	190W
FCV6020050	610	2000	500	115	0,600	400	1885	430	350	330	390	395	480	1915	544	350	213W
FCV6020060	610	2000	600	120	0,720	400	1885	530	350	430	390	495	480	1915	544	450	253W
FCV8020040	810	2000	400	130	0,640	570	1885	330	550	235	590	295	680	1915	744	250	231W
FCV8020050	810	2000	500	140	0,800	570	1885	430	550	330	590	395	680	1915	744	350	255W
FCV8020060	810	2000	600	150	0,960	570	1885	530	550	430	590	495	680	1915	744	450	279W
FCV10020040	1010	2000	400	155	0,800	770	1885	330	750	235	790	295	880	1915	944	250	272W
FCV10020050	1010	2000	500	160	1,000	770	1885	430	750	330	790	395	880	1915	944	350	298W
FCV10020060	1010	2000	600	165	1,200	770	1885	530	750	430	790	495	880	1915	944	450	323W
FCV12020040*	1224	2000	400	190	0,960	400	1885	330	440x2	235	435x2	295	1090	1915	1158	250	313W
FCV12020050*	1224	2000	500	200	1,200	400	1885	430	400x2	330	435x2	395	1090	1915	1158	350	340W
FCV12020060*	1224	2000	600	210	1,440	400	1885	530	440x2	430	432x2	495	1090	1915	1158	450	367W
FCV14020040*	1424	2000	400	215	1,120	500	1885	330	480x2	235	535x2	295	1290	1915	1358	250	354W
FCV14020050*	1424	2000	500	230	1,400	500	1885	430	480x2	330	535x2	395	1290	1915	1358	350	383W
FCV14020060*	1424	2000	600	245	1,680	500	1885	530	480x2	430	535x2	495	1290	1915	1358	450	400W
FCV16020040*	1624	2000	400	250	1,280	600	1885	330	580x2	235	635x2	295	1490	1915	1558	250	394W
FCV16020050*	1624	2000	500	260	1,600	600	1885	430	580x2	330	635x2	395	1490	1915	1558	350	425W
FCV16020060*	1624	2000	600	270	1,920	600	1885	530	580x2	430	635x2	495	1490	1915	1558	450	456W

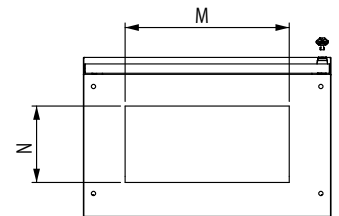
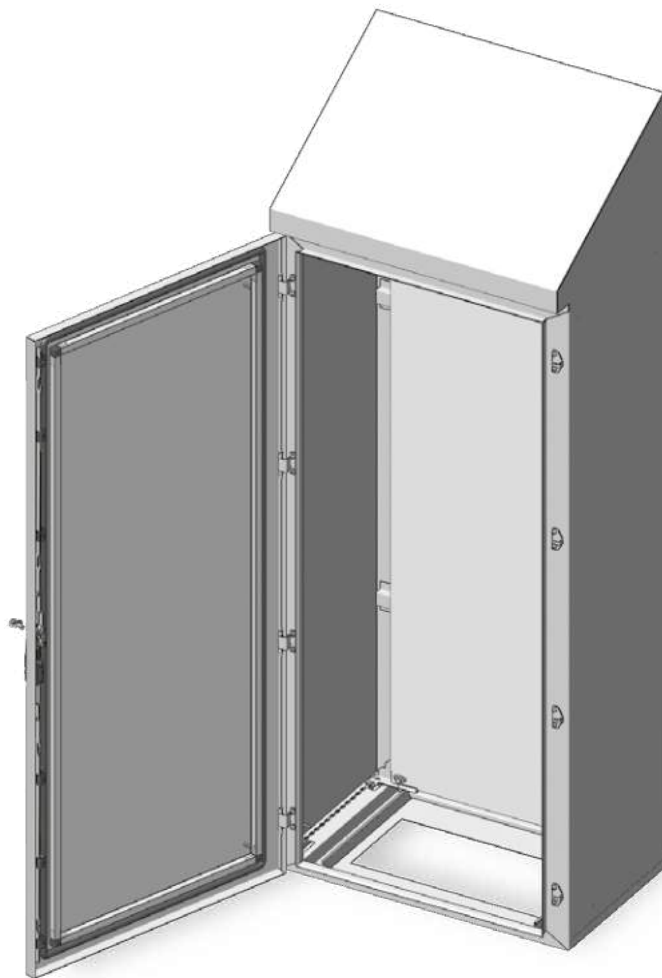
* CABINETS WITH 2 DOORS B=Base H=Height P=Depth



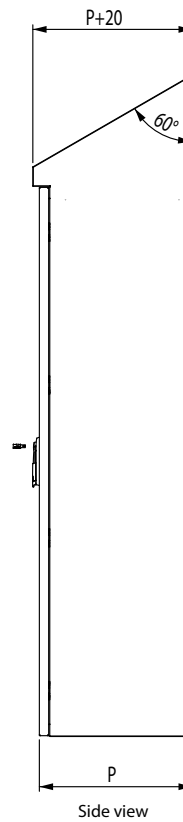
Integrated roof "hygienic design"

The "hygienic design" series represents a modern solution for cabinets installations in settings where high hygiene requirements are mandatory, as it allows the microbiological removal of deposits. An integrated and inclined canopy provides additional protection for the drainage of liquids. This is the ideal solution for the food and beverage industry, biotechnological laboratories and pharmaceutical plants.

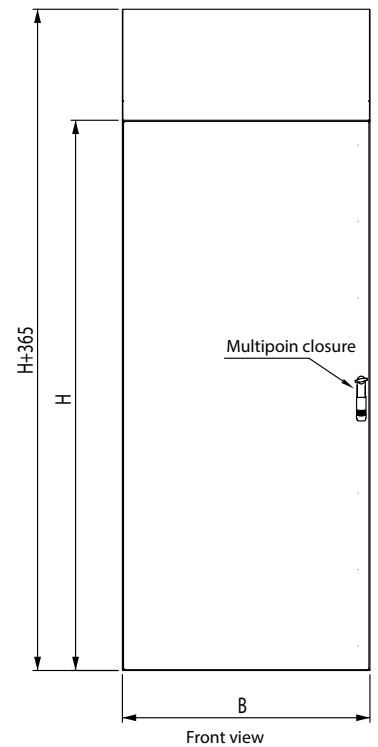
Technical drawings



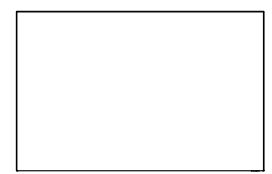
Bottom view



Side view



Front view



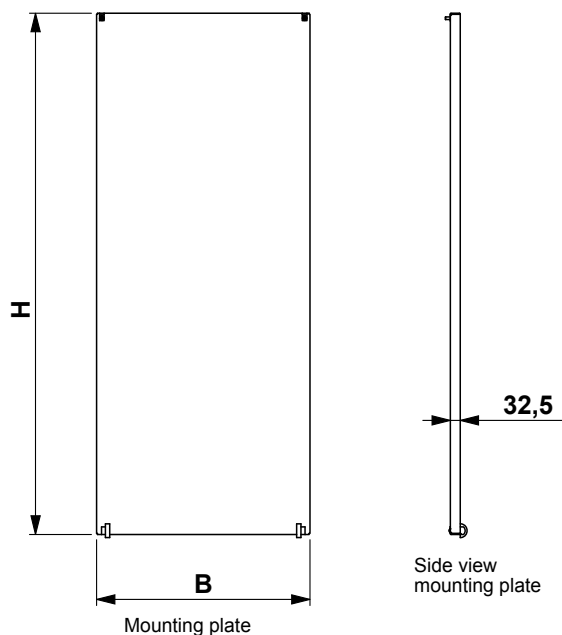
Top view



Mounting Plate

Made of galvanized steel (on request 304L/ 316L), with 2,5mm thickness double fold.

Technical drawings

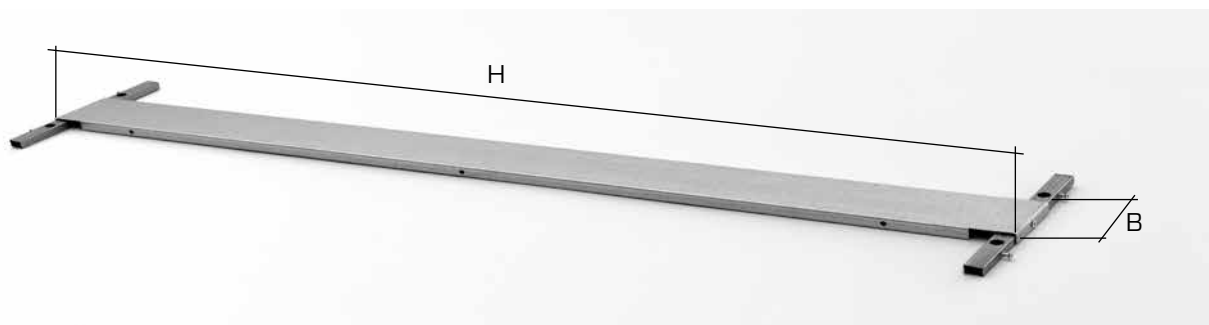


TECHNICAL DETAILS		
CODE	Narrow mounting plate	
	B	H
PI40180	276	1700
PI60180	476	1700
PI80180	676	1700
PI100180	876	1700
PI120180	1093	1700
PI140180	1276	1700
PI160180*	1490*	1700
PI40200	276	1900
PI60200	476	1900
PI80200	676	1900
PI100200	876	1900
PI120200	1093	1900
PI140200	1276	1900
PI160200*	1490*	1900

* Note: For cabinets with dimension B = 1600
No. 2 Plates PI80 .. plus partial plate (PIA)

PIA: Partial plate

Partial plate made of galvanized steel to join the narrow plates



TECHNICAL DETAILS			
CODE	Descriptions	Dimensions	
		B	H
PIA1800	PIA H1800 for narrow mounting plate	140	1700
PIA2000	PIA H2000 for narrow mounting plate	140	1900



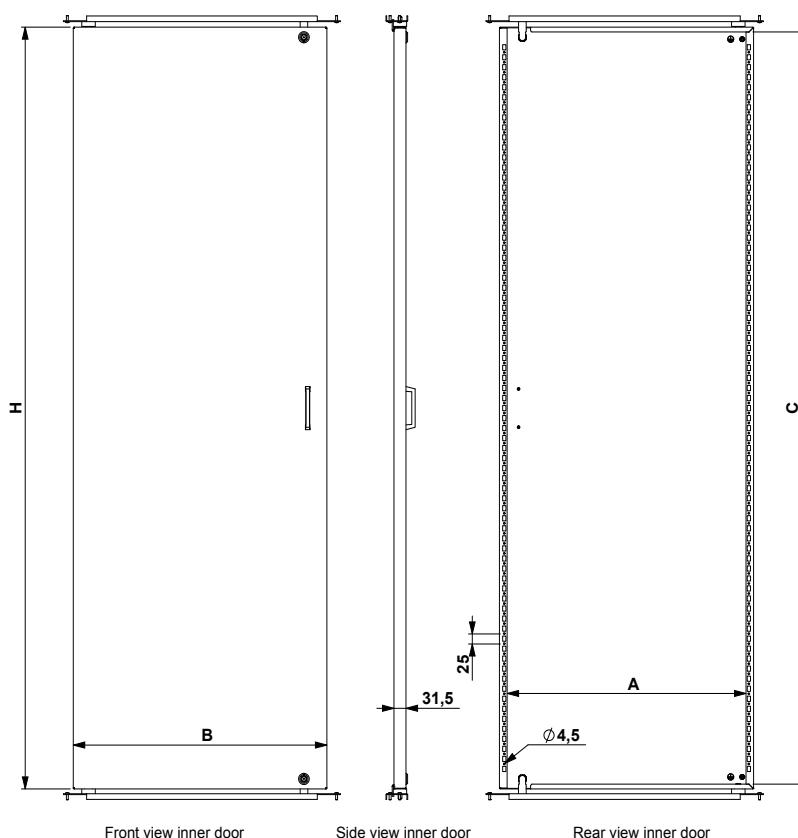
TC: Inner door

1.5mm thickness AISI 304L, bent on the longer sides, 25mm internal spacing drill. Inner door adjustable in depth by 25mm spacing.

As option : AISI 316L.



Technical drawings



* 2 DOUBLE LEAF DOORS ON A CENTRAL UPRIGHT

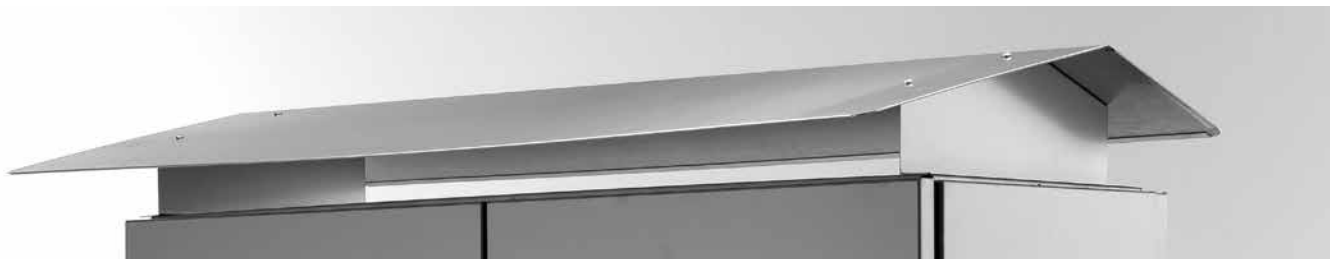
TECHNICAL DETAILS

CODE		Accessible area inner door		Available area for inner door drilling	
		B	H	A	C
TC60180	FC6018040 / 50 / 60	480	1700	435	1676
TC80180	FC8018040 / 50 / 60	680	1700	635	1676
TC100180	FC10018040 / 50 / 60	880	1700	835	1676
TC120180*	FC12018040 / 50 / 60	475x2*	1700	435x2	1676
TC140180*	FC14018040 / 50 / 60	575x2*	1700	535x2	1676
TC160180*	FC16018040 / 50 / 60	675x2*	1700	635x2	1676
TC60200	FC6020040 / 50 / 60	480	1900	435	1876
TC80200	FC8020040 / 50 / 60	680	1900	635	1876
TC100200	FC10020040 / 50 / 60	880	1900	835	1876
TC120200*	FC12020040 / 50 / 60	475x2*	1900	435x2	1876
TC140200*	FC14020040 / 50 / 60	575x2*	1900	535x2	1876
TC160200*	FC16020040 / 50 / 60	675x2*	1900	635x2	1876

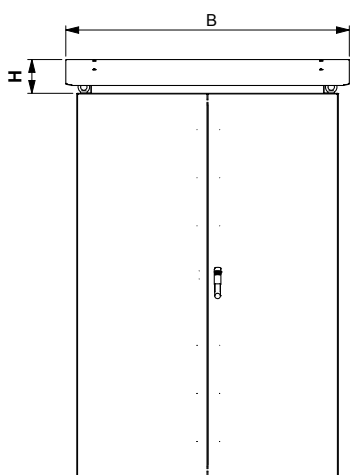


TPA: Rain canopy

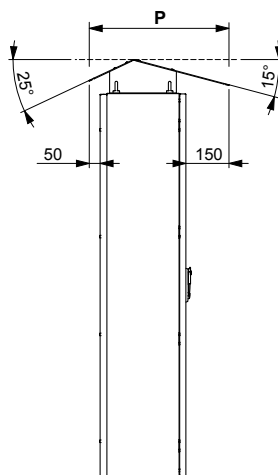
In outdoor settings, protection canopy can be installed to ensure greater protection against atmospheric agents. As standard AISI 304L, as option : AISI 316L.



Technical drawings



Front view



Side view

TECHNICAL DETAILS

CODE	Description	Dimensions		
		B	H	P
TPA6040	Rain canopy series FC	700	160	600
TPA6050	Rain canopy series FC	700	160	700
TPA6060	Rain canopy series FC	700	160	800
TPA8040	Rain canopy series FC	900	160	600
TPA8050	Rain canopy series FC	900	160	700
TPA8060	Rain canopy series FC	900	160	800
TPA10040	Rain canopy series FC	1100	160	600
TPA10050	Rain canopy series FC	1100	160	700
TPA10060	Rain canopy series FC	1100	160	800
TPA12040	Rain canopy series FC	1300	160	600
TPA12050	Rain canopy series FC	1300	160	700
TPA12060	Rain canopy series FC	1300	160	800
TPA14040	Rain canopy series FC	1500	160	600
TPA14050	Rain canopy series FC	1500	160	700
TPA14060	Rain canopy series FC	1500	160	800
TPA16040	Rain canopy series FC	1700	160	600
TPA16050	Rain canopy series FC	1700	160	700
TPA16060	Rain canopy series FC	1700	160	800



FGL: Double entry flange

As an alternative to the standard cable gland plate, is available a double cable entry flange, made in two parts with a sealing gasket, which makes easier the cable entry. Its use is recommended in combination with the hygienic base. They are made of AISI 304L or AISI 316L

TECHNICAL DETAILS				
CODE	Description	Dimensions		
		B	P	
FLG6040C	Double flange serie FC	390	250	
FLG6050C	Double flange serie FC	390	350	
FLG6060C	Double flange serie FC	390	450	
FLG8040C	Double flange serie FC	590	250	
FLG8050C	Double flange serie FC	590	350	
FLG8060C	Double flange serie FC	590	450	
FLG10040C	Double flange serie FC	790	250	
FLG10050C	Double flange serie FC	790	350	
FLG10060C	Double flange serie FC	790	450	
FLG12040C*	Double flange serie FC	435	250	
FLG12050C*	Double flange serie FC	435	350	
FLG12060C*	Double flange serie FC	435	450	
FLG14040C*	Double flange serie FC	535	250	
FLG14050C*	Double flange serie FC	535	350	
FLG14060C*	Double flange serie FC	535	450	
FLG16040C*	Double flange serie FC	635	250	
FLG16050C*	Double flange serie FC	635	350	
FLG16060C*	Double flange serie FC	635	450	



* N. 2 pieces to be ordered

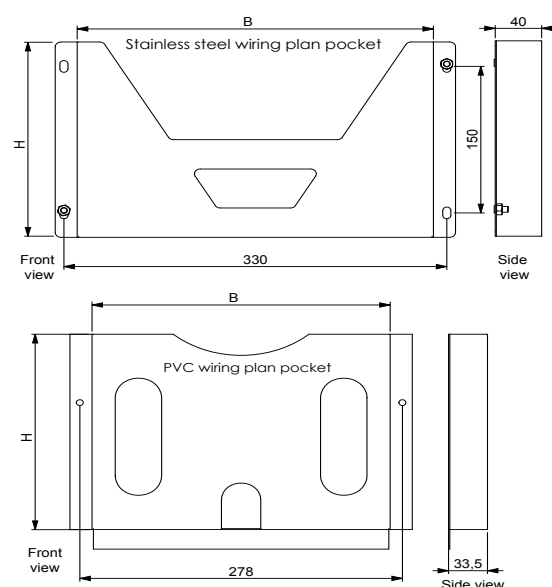
TS: Wiring plan pocket

Inner pockets suitable for A3 / A4 format documents. pocket available in stainless steel and PVC.



* Fixed on the door frame

Technical drawings



TECHNICAL DETAILS			
CODE	Description	Dimensions	
		B	H
TS00030	TS00030 Diagram pocket. pvc A4	210	300
TS00010	TS00010 pocket st.st. A4	210	300
TS00400*	TS00400* pocket st.st. B400	400	250
TS00600*	TS00600* pocket st.st. B600	600	250
TS00800*	TS00800* pocket st.st. B800	800	250
TS01000*	TS01000* pocket st.st. B1000	1000	250

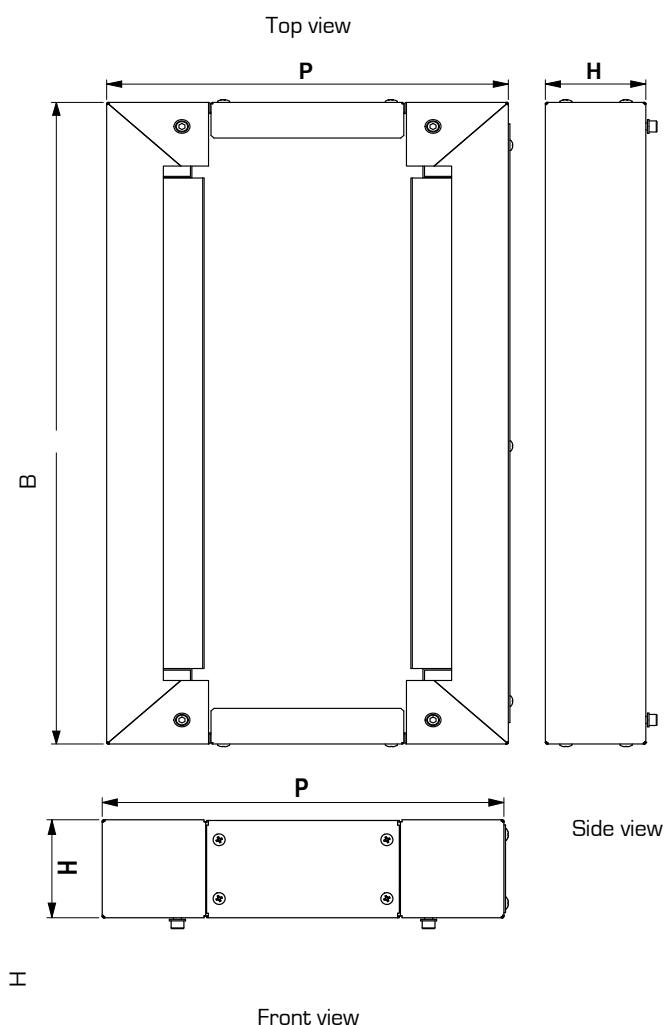


FZ: Plinths

The FZ plinth is made of stainless steel, to provide a floor mounting. Heights can be: H100 or H200mm. The plinth can be inspected on the sides with openings on the bottom. In very adverse settings, where maximum protection from atmospheric agents is required, the H100 and H200 sizes can be installed with the hygienic FZ3.S plinth with closed bottom; can be inspected through flanged sides.



Technical drawings



TECHNICAL DETAILS

CODE	Dimensions		
	B	H	P
FZ3601040	600	100	400
FZ3601050	600	100	500
FZ3601060	600	100	600
FZ3801040	800	100	400
FZ3801050	800	100	500
FZ3801060	800	100	600
FZ31001040	1000	100	400
FZ31001050	1000	100	500
FZ31001060	1000	100	600
FZ31201040	1200	100	400
FZ31201050	1200	100	500
FZ31201060	1200	100	600
FZ31401040	1400	100	400
FZ31401050	1400	100	500
FZ31401060	1400	100	600
FZ31601040	1600	100	400
FZ31601050	1600	100	500
FZ31601060	1600	100	600
FZ3602040	600	200	400
FZ3602050	600	200	500
FZ3602060	600	200	600
FZ3802040	800	200	400
FZ3802050	800	200	500
FZ3802060	800	200	600
FZ31002040	1000	200	400
FZ31002050	1000	200	500
FZ31002060	1000	200	600
FZ31202040	1200	200	400
FZ31202050	1200	200	500
FZ31202060	1200	200	600
FZ31402040	1400	200	400
FZ31402050	1400	200	500
FZ31402060	1400	200	600
FZ31602040	1600	200	400
FZ31602050	1600	200	500
FZ31602060	1600	200	600



PL: Component shelves

Mounted on tubular frames, shelves offer a large supporting surface. Quick positioning, to be tilted after use. AISI 304L, as option: AISI 316L.



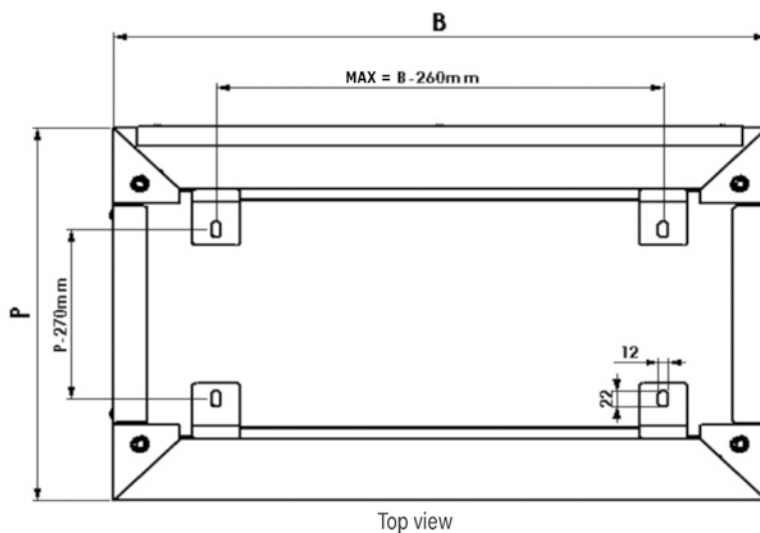
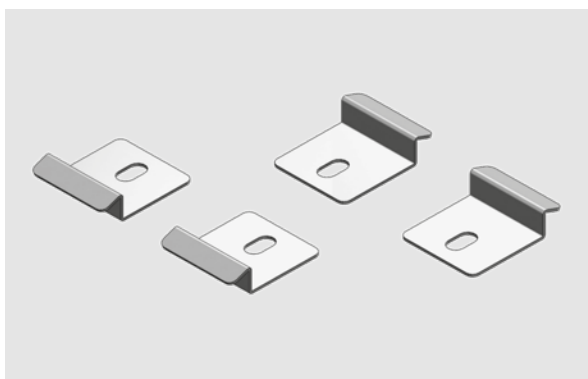
TECHNICAL DETAILS

CODE	Description	Dimensions		Q.ty
		B		Nr.
PL600	Shelve B600	600		1
PL800	Shelve B800	800		1
PL1000	Shelve B1000	1000		1

KFZP: Floor plinth fixing kit

The KFZP Kit cannot be used when the plinth is mounted on a FZ ... S hygienic base. For these plinths use the feet anchors.

Technical drawings





PP/PPT: Inspection-Protection windows

Used to assure protection of the controls, the PPT windows are provided with a stainless steel frame, with direct fixing of the PP windows. The doors of the windows have a glued lexan on the door, as well as a sealing gasket and a Yale lock wing type.



Compact
Compact cabinets

TECHNICAL DETAILS

CODE	Description	Dimensions		
		B	H	P
PP300300	Window with direct fixing	300	300	55
PP400400	Window with direct fixing	400	400	55
PP450450	Window with direct fixing	450	450	55
PP500500	Window with direct fixing	500	500	55
PP500750	Window with direct fixing	500	750	55
PP600800	Window with direct fixing	600	800	55
PPT400400	Window with frame	400	400	95
PPT450450	Window with frame	450	450	95
PPT500500	Window with frame	500	500	95
PPT500750	Window with frame	500	750	95
PPT600800	Window with frame	600	800	95