

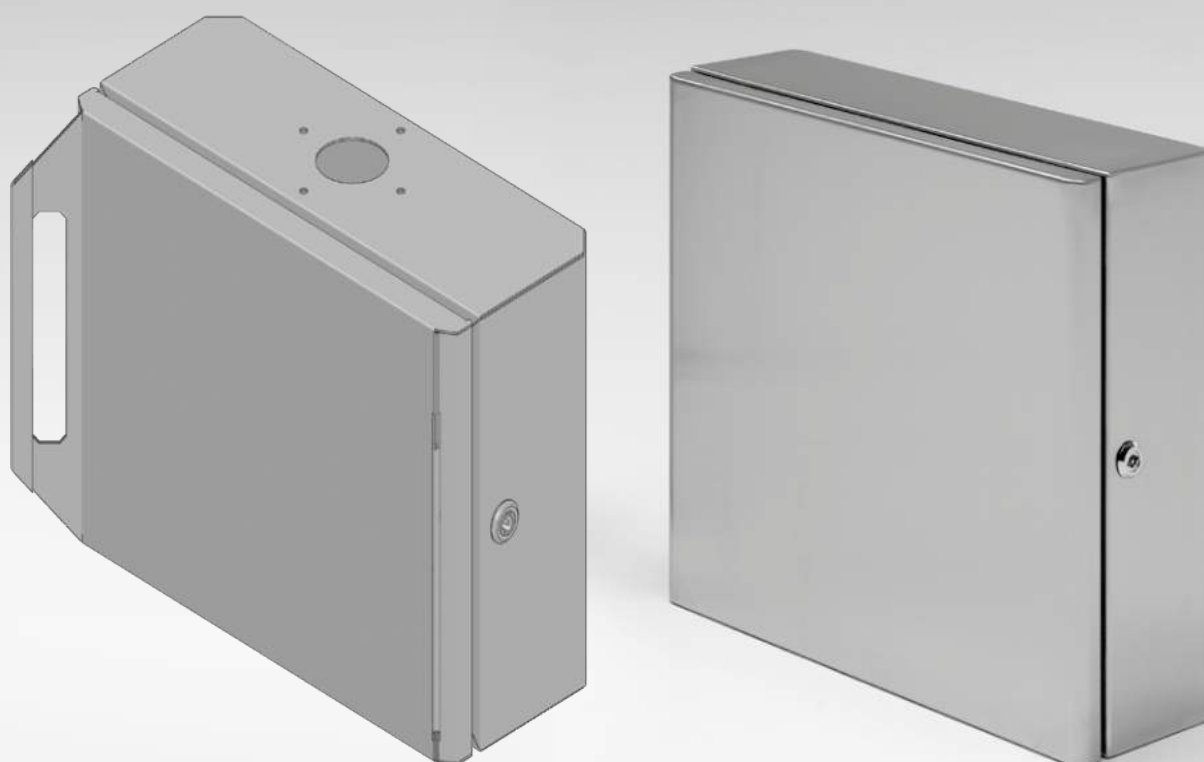


SIDECOM



FM/FMN – SUPPORT ARM PANEL SYSTEMS P=160

The FM range of stainless steel support arm panels systems has been made in compliance with most recent international standards, with entirely innovative construction design ensuring solidity, protection and cleanliness. The IP66 degree of protection and the scotch-brite finishing distinguishes the FM range, providing the ideal solution for applications in aggressive settings typical of food, chemical, pharmaceutical industry or for applications in outdoor environments. **Upon request it's possible to supply FM support arm panel system tailor-made according to customer needs.**



Integrated and ergonomic handles on the door fixed to the body, with non-visible hinges and relative removable pin.

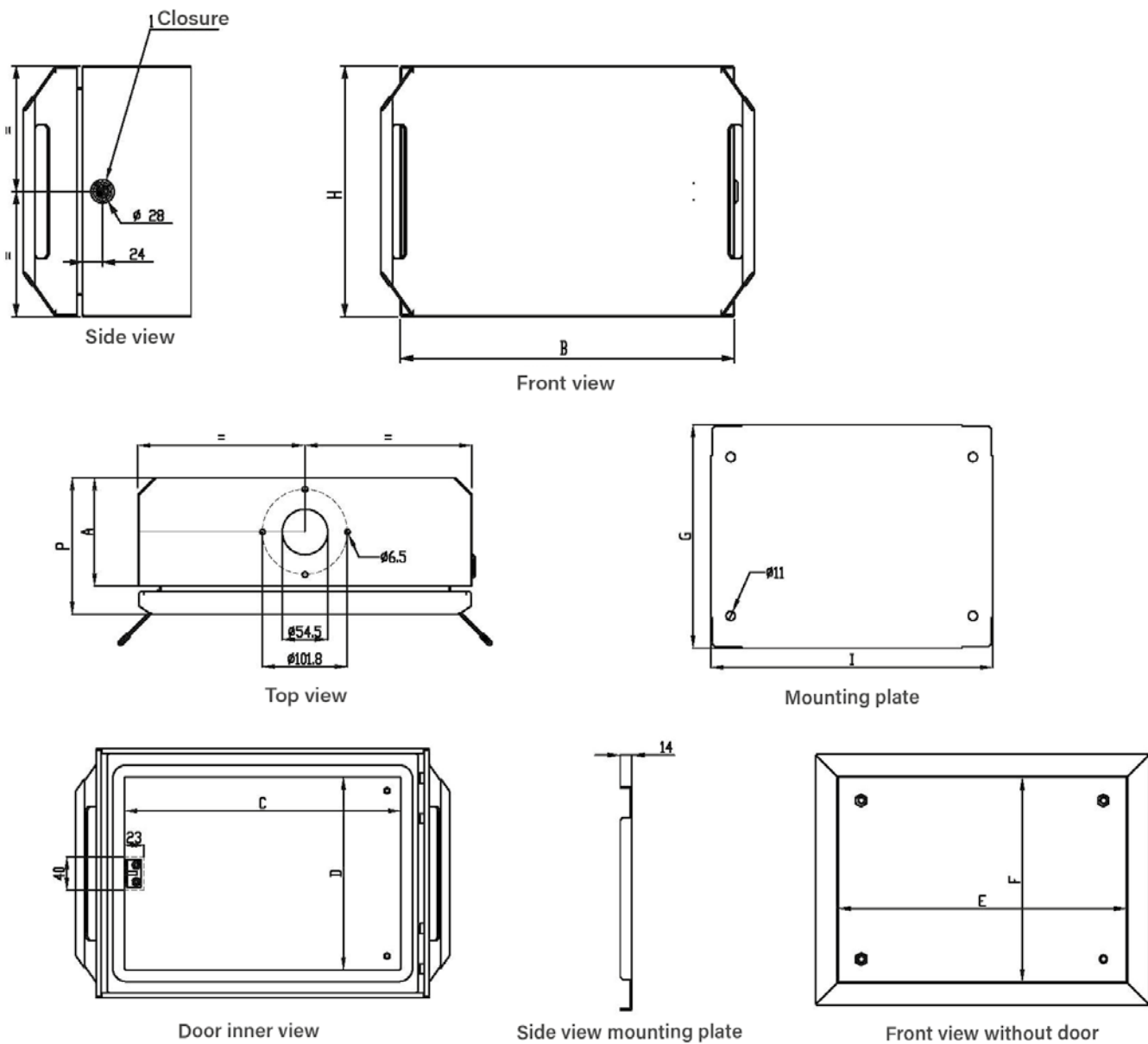
DEGREE OF PROTECTION AND STANDARD REFERENCES

IP66 IK10 - EN 62208 : 2011

89/392/EEC

EN 60529/09.200 - EN 50102/05.96

SIDECOM P=160 Technical drawings



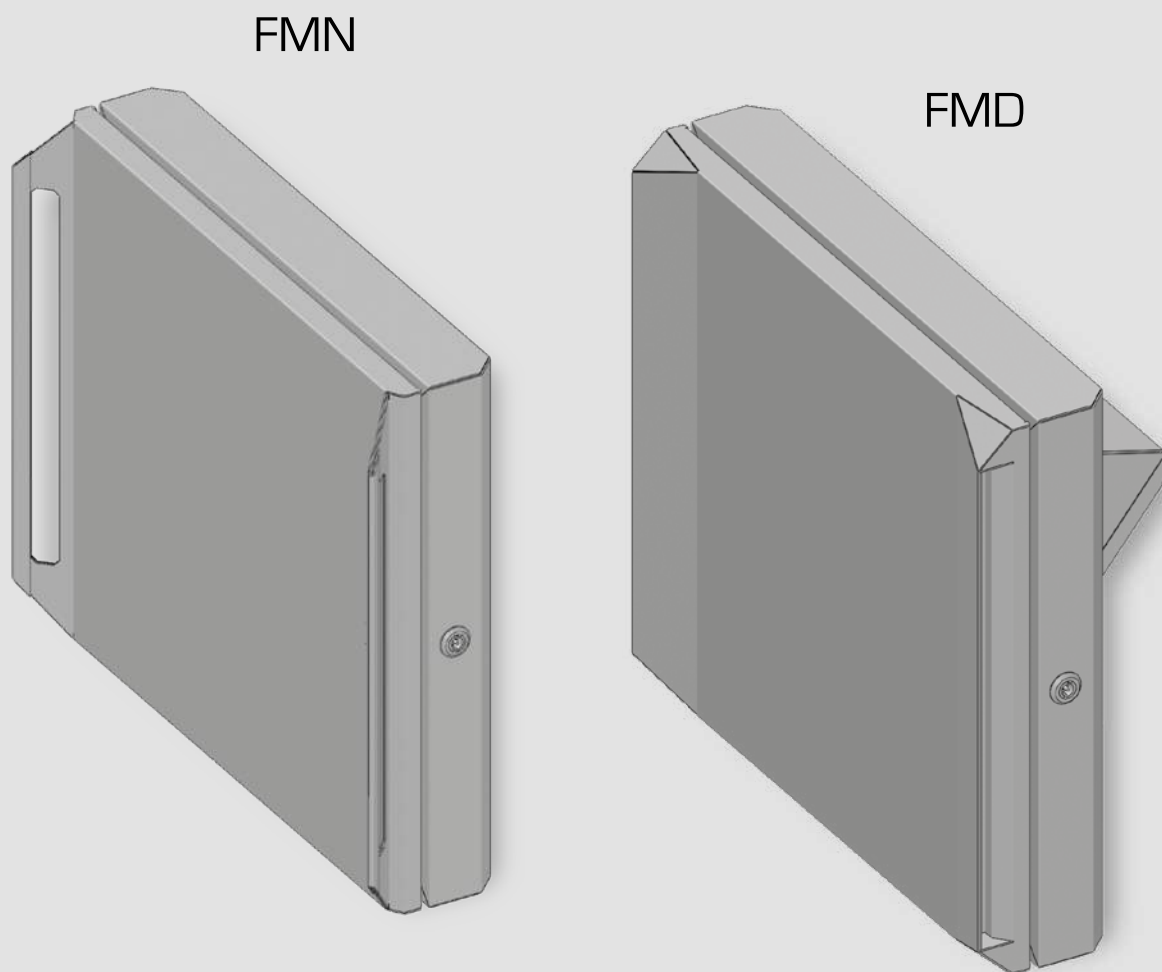
WALL-MOUNTED TECHNICAL DETAILS P =160

CODE	Dimensions			Weight Kg	Volume m^3	Available area for door drilling		Available width for side drilling	Accessible area through door		Mounting plate	
	B	H	P			C	D	A	E	F	I	G
RANGE WITHOUT HANDLE P=160												
FM403016	400	300	160	5,50	0,019	331	231	130	345	245	318	268
FM453516	450	350	160	7,00	0,025	381	281	130	395	295	368	318
FM454516	450	450	160	8,00	0,032	381	381	130	395	395	368	418
FM504516	500	450	160	9,00	0,036	431	381	130	445	395	418	418
FM505016	500	500	160	10,00	0,040	431	431	130	445	445	418	468
FM605016	600	500	160	12,00	0,048	531	431	130	545	445	518	468
RANGE WITH HANDLE P=160												
FMN403016	400	300	160	5,50	0,019	331	231	130	345	245	318	268
FMN453516	450	350	160	7,00	0,025	381	281	130	395	295	368	318
FMN454516	450	450	160	8,00	0,032	381	381	130	395	395	368	418
FMN504516	500	450	160	9,00	0,036	431	381	130	445	395	418	418
FMN505016	500	500	160	10,00	0,040	431	431	130	445	445	418	468
FMN605016	600	500	160	12,00	0,048	531	431	130	545	445	518	468



FMN/FMD – SUPPORT ARM PANELS SYSTEMS P=100

The FM range of stainless steel support arm panels systems has been made in compliance with most recent international standards, with entirely innovative construction design ensuring solidity, protection and cleanliness. The IP66 degree of protection and the scotch-brite finishing distinguishes the FM range, providing the ideal solution for applications in aggressive settings typical of food, chemical, pharmaceutical industry or for applications in outdoor environments. **Upon request it's possible to supply FM support arm panel system tailor-made according to customer needs.**



100 mm depth only
Arm fixed on the back to improve water protection.
Integrated and ergonomic handles on the door fixed to the body, with non-visible hinges and relative removable pin.

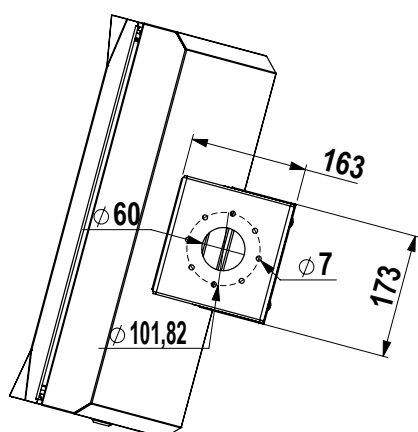
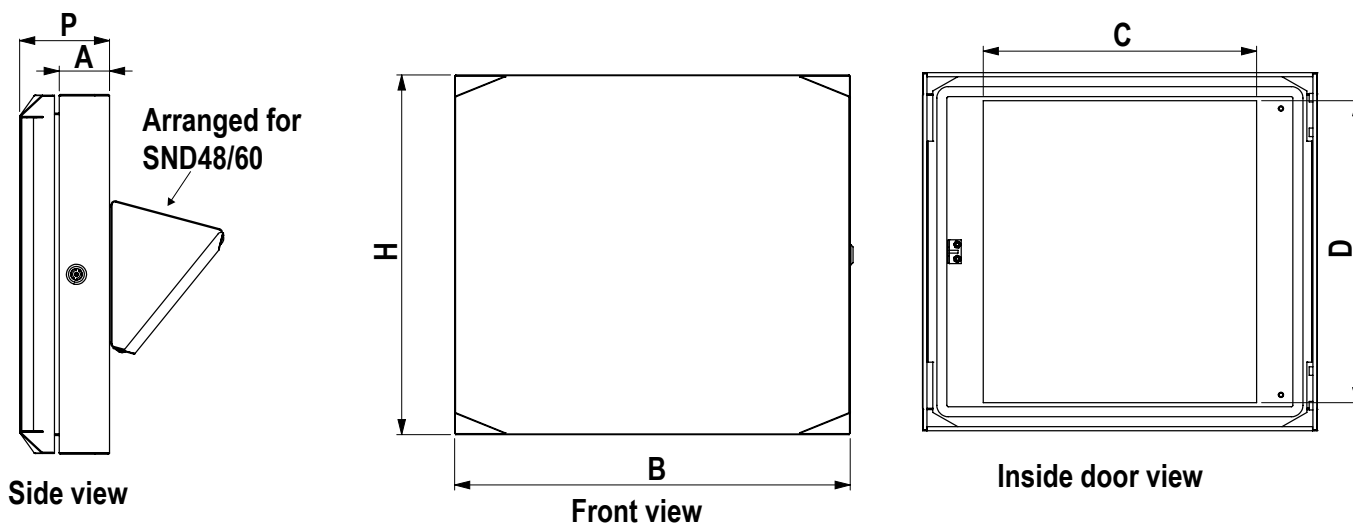
PLATE ON REQUEST

DEGREE OF PROTECTION AND STANDARD

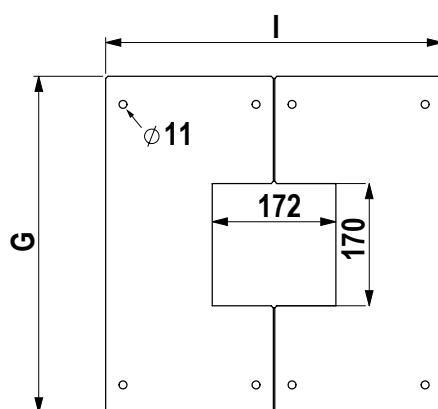
IP66 IK10 - EN 62208 : 2011

89/392/EEC

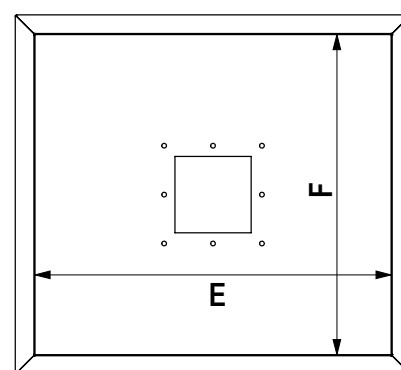
EN 60529/09.200 - EN 50102/05.96



View from above



Mounting plate



Front view without door

TECHNICAL DETAILS

CODE	Dimensions			Weight Kg	Volume m³	Available area for door drilling		Available width for side drilling A	Accessible area through door		Mounting plate (2 half plates)	
	B	H	P			C	D		E	F	I	G
RANGE P=100												
FMN403010	400	300	100	5,50	0,019	331	231	70	345	245	318	268
FMN453510	450	350	100	7,00	0,025	381	281	70	395	295	368	318
FMN454510	450	450	100	8,00	0,032	381	381	70	395	395	368	418
FMN504510	500	450	100	9,00	0,036	431	381	70	445	395	418	418
FMN555010	550	500	100	11,00	0,040	481	431	70	495	445	468	468
RANGE DESIGN												
FMD403010	400	300	100	5,50	0,019	230	220	70	345	245	318	268
FMD453510	450	350	100	7,00	0,025	280	270	70	395	295	368	318
FMD454510	450	450	100	8,00	0,032	280	370	70	395	395	368	418
FMD504510	500	450	100	9,00	0,036	330	370	70	445	395	418	418
FMD555010	550	500	100	11,00	0,040	380	420	70	495	445	468	468



PIPES FOR WALL-MOUNTED SYSTEMS

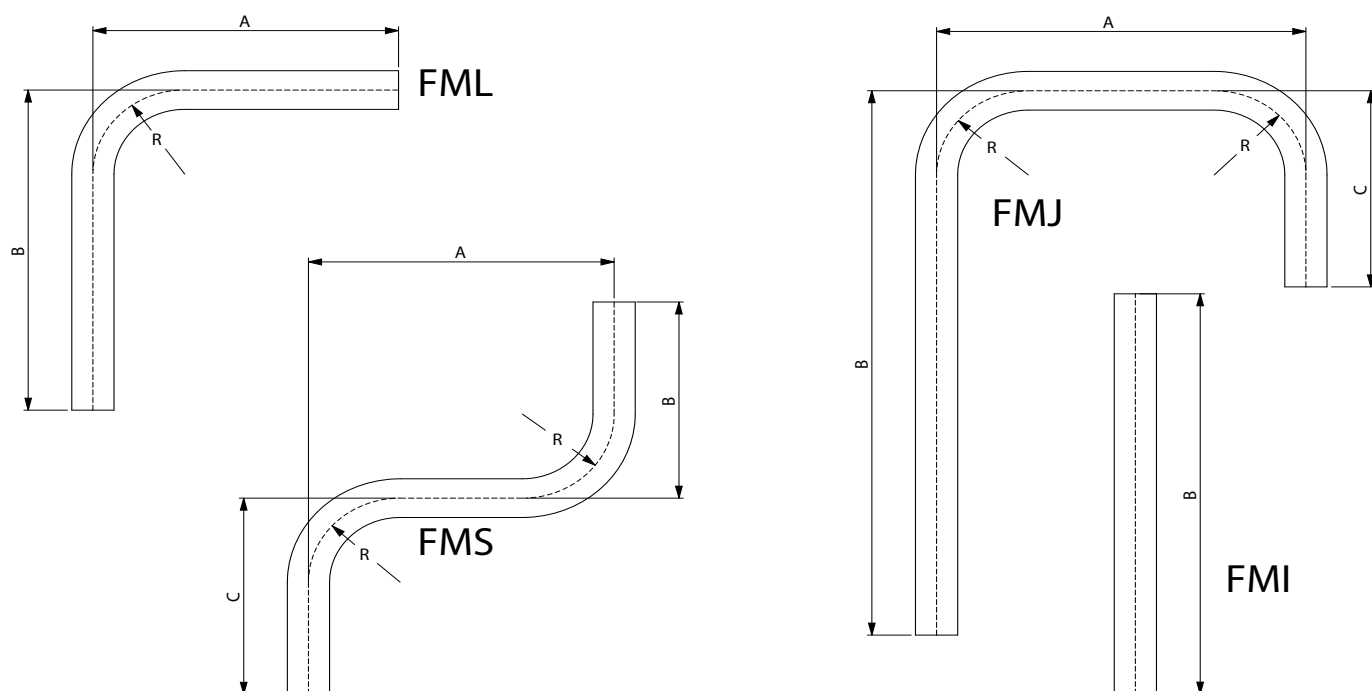
Small and medium-sized steel pipes are made of AISI304 stainless steel (EN 1.4301).
Available in four different types:

- a "L" FML
- a "J" FMJ
- a "S" FMS
- a "I" FMI

Customized lengths are available.

For \varnothing 48.3mm pipes, the average R bending radius can be : 90mm or 105mm.
For \varnothing 60.3mm pipes the average bending radius is 150mm.

Technical drawings

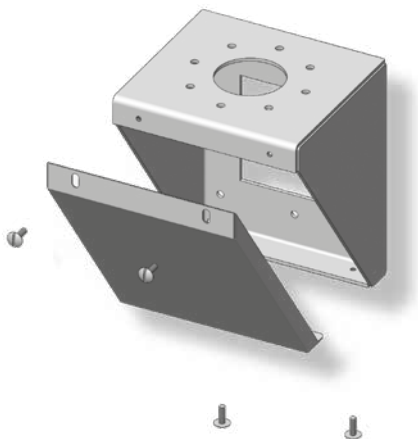


TECHNICAL DETAILS

CODE	Dimensions* [*minimum dimensions for the bending]		
	A mm	B mm	C mm
FMJ	min. 450	min. 245	min. 300
FML	min. 245	min. 245	-
FMS	min. 250	min. 245	min. 245
FMI	-	min. 300	-



ROTATING/FIXED JOINT AND CABLES ENTRY FLANGE



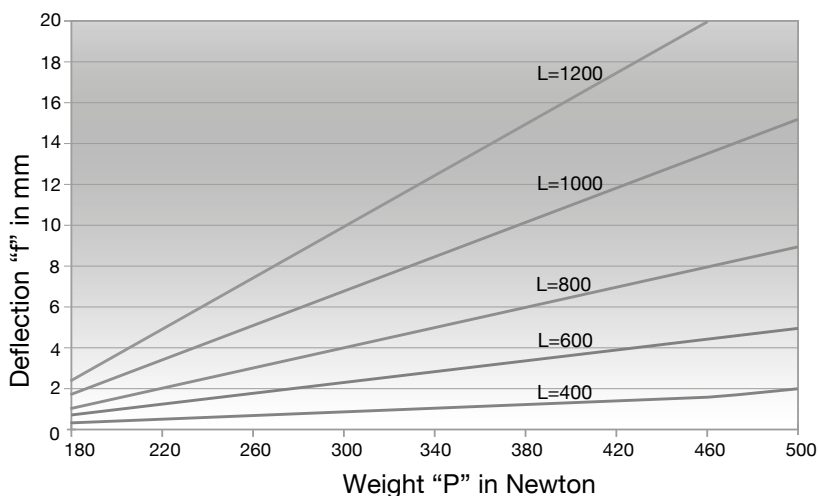
SNF6001 (JOINT SND 48/60)
SNF6003 (JOINT SND 00001)



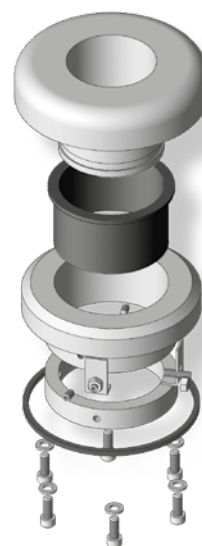
SND48 - SND60

TECHNICAL DETAILS

CODE	Description	Q.TA'
SND48	Rotating joint 360° Ø 48,3 mm	1
SND60	Rotating joint 360° Ø 60,3 mm	1
SNF48	Fixed joint Ø 48,3 mm	1
SNF60	Fixed joint Ø 60,3 mm	1
SNF6001	Joint wall fixing shelf Ø 48,3 e Ø 60,3mm (SND 48/60)	1
SNF4802	Pipe fixing flange Ø 48,3 mm (joint reinforcement SND 48)	1
SNF6002	Pipe fixing flange o Ø 60,3 mm (joint reinforcement SND 60)	1
SNF6003	Joint fixing bracket SND 00001	1
SND00001	rotating joint 360° Ø 60,3 mm reinforced with adjustable swinging angle	1



Graphic indicating the bending of the pipe based on the applied weight and its deflection.



SND00001