

SMART



SOLID DOOR ENCLOSURES AND POLYCARBONATE DOOR ENCLOSURES

The FQ range of stainless steel enclosures has been built in compliance with the most recent international standards, with completely innovative construction design and protection concepts. It is therefore the ideal solution for applications in aggressive settings typical of the food, chemical, pharmaceutical industry or for applications in outdoor environments. **It is possible to supply the FQ enclosures tailor-made in accordance to customer needs.** On request is available transparent glass door with a 3 + 3mm safety glass.

FQ range: Stainless steel enclosure with 1 door IP66



DEGREE OF PROTECTION AND STANDARDS REFERENCE

IP66 IK10 NEMA TYPE 1, 12, 4, 4X	89/392/EEC
EN 62208 : 2011	UL 508 A NEMA STANDARD PUBLICATION 250
EN 60529/09.200 EN 50102/05.96	



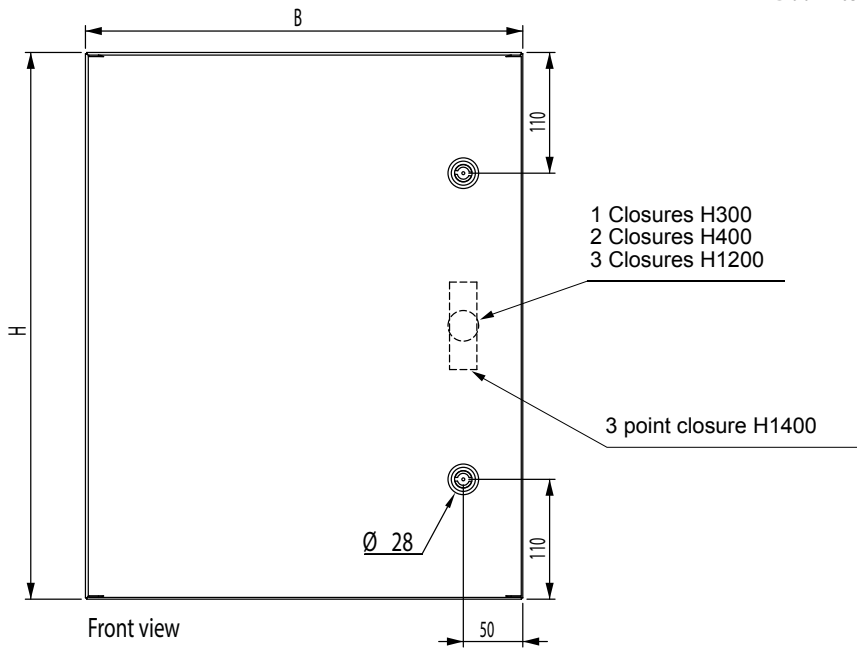
ENCLOSURE WITH INTEGRATED ROOF FHD FHD - Stainless steel enclosure with integrated rain roof

This design represents the ideal solution when used in settings which require high hygiene standards. An integrated and sloping canopy provides additional protection for the drainage of liquids. This is a typical solution for the food and beverage industry, biotechnological laboratories and pharmaceutical plants.

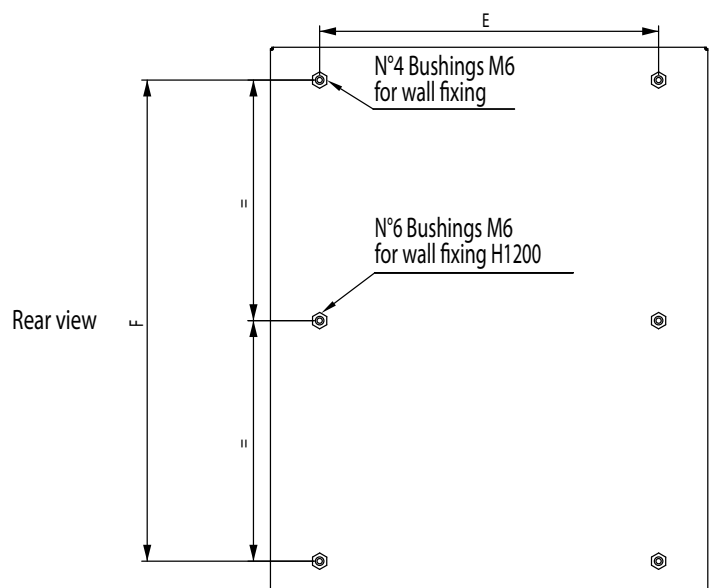
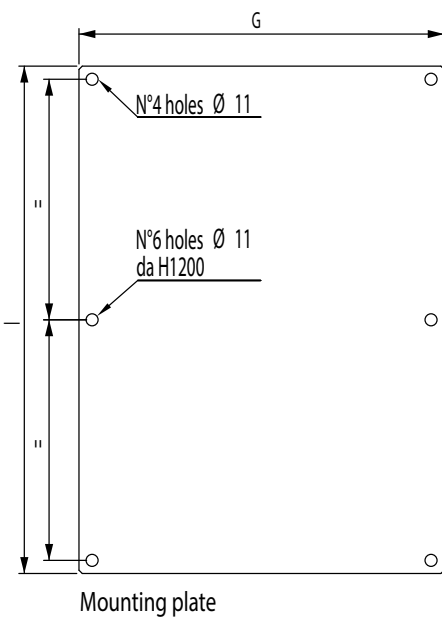
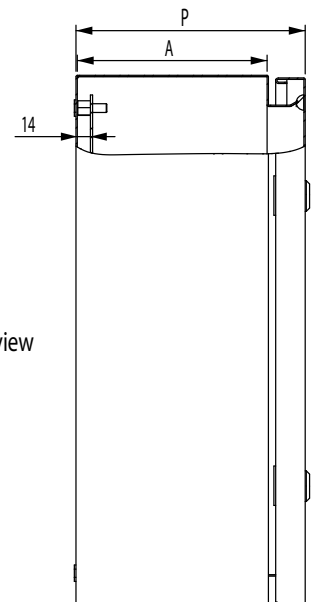
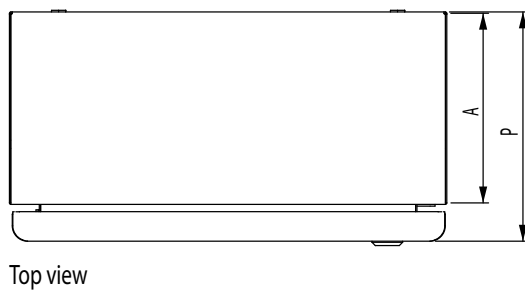
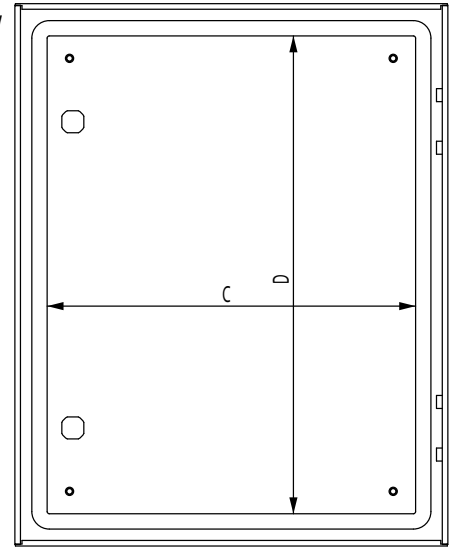


FQ - Stainless steel enclosure with 2 doors IP55





Door internal view

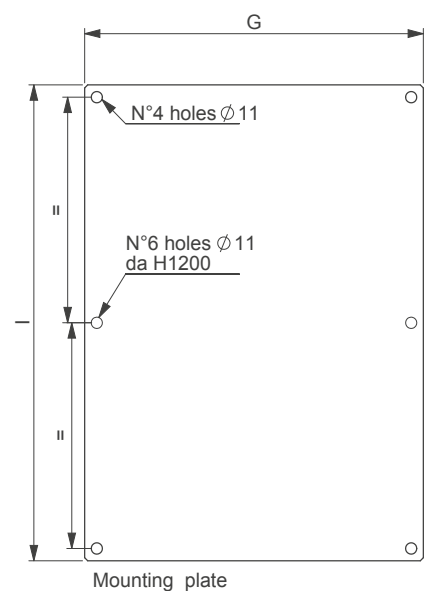
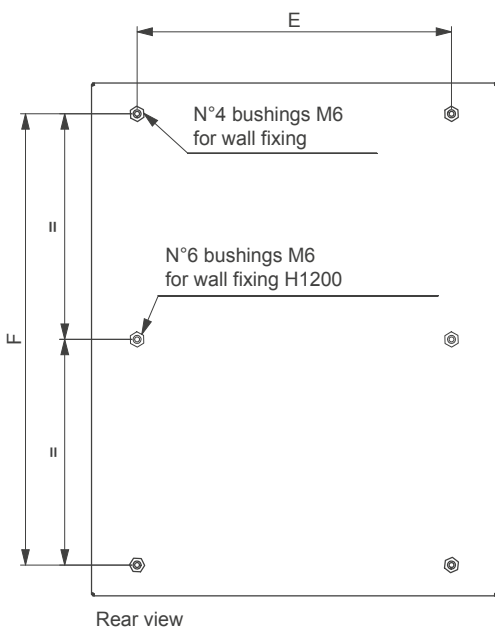
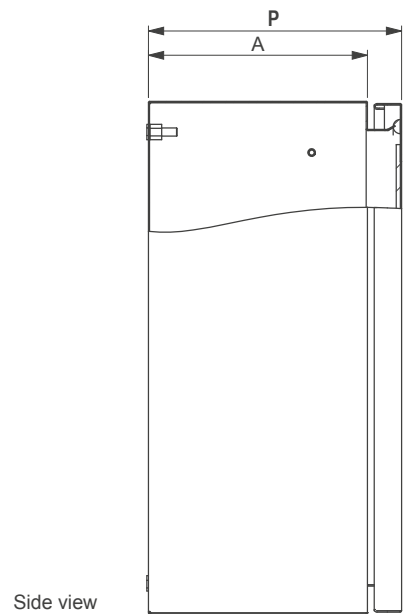
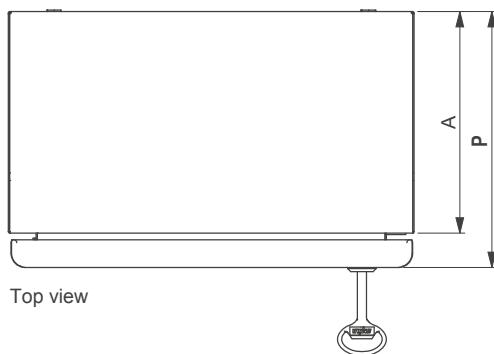
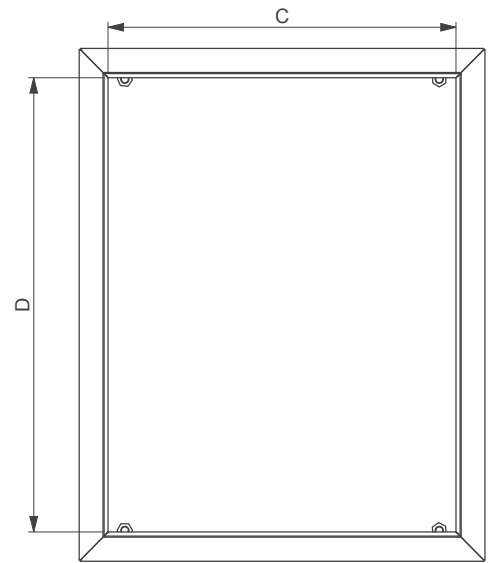
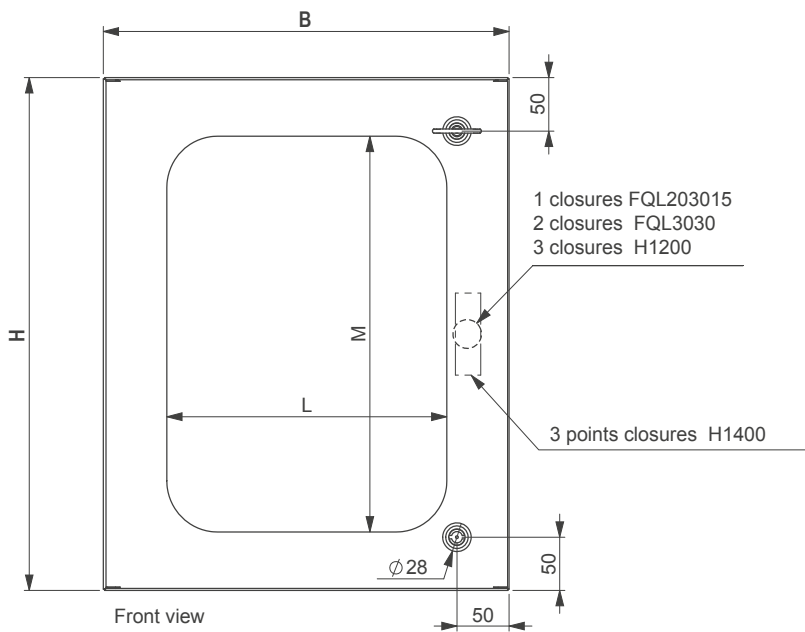




TECHNICAL DETAILS

CODE	Dimensions			Weight Kg	Volume m ³	Available area for door drilling		Available width for side drilling		Mounting Plate		Wall fixing distances		N° of locks	Heat load dissipation
	B	H	P			C	D	A	G	I	E	F			
FG203015	200	300	150	4,00	0,009	137	237	116	138	268	110	240	1	14W	
FG303015	300	300	150	5,50	0,014	237	237	116	238	268	210	240	1	18W	
FG303021	300	300	210	6,50	0,019	237	237	176	238	268	210	240	1	20W	
FG304015	300	400	150	7,00	0,018	237	337	116	238	368	210	340	1	22W	
FG304021	300	400	210	8,00	0,025	237	337	176	238	368	210	340	1	25W	
FG403015	400	300	150	7,00	0,018	337	237	116	338	268	310	240	1	21W	
FG404021	400	400	210	10,00	0,034	337	337	176	338	368	310	340	2	29W	
FG405021	400	500	210	12,00	0,042	337	437	176	338	468	310	440	2	35W	
FG405025	400	500	250	12,50	0,050	337	437	216	338	468	310	440	2	37W	
FG406021	400	600	210	14,00	0,050	337	537	176	338	568	310	540	2	41W	
FG454521	450	450	210	12,00	0,043	387	387	176	388	418	360	390	2	35W	
FG454525	450	450	250	13,00	0,051	387	387	216	388	418	360	390	2	37W	
FG456025	450	600	250	16,50	0,068	387	537	216	388	568	360	540	2	46W	
FG505021	500	500	210	14,50	0,053	437	437	176	438	468	410	440	2	41W	
FG505025	500	500	250	15,00	0,063	437	437	216	438	468	410	440	2	44W	
FG506021	500	600	210	18,00	0,063	437	537	176	438	568	410	540	2	46W	
FG507021	500	700	210	20,00	0,074	437	637	176	438	668	410	640	2	52W	
FG507025	500	700	250	20,50	0,088	437	637	216	438	668	410	640	2	55W	
FG604021	600	400	210	14,00	0,050	537	337	176	538	368	510	340	2	39W	
FG604525	600	450	250	16,00	0,068	537	387	216	538	418	510	390	2	44W	
FG606021	600	600	210	20,00	0,076	537	537	176	538	568	510	540	2	52W	
FG606025	600	600	250	21,00	0,090	537	537	216	538	568	510	540	2	55W	
FG606030	600	600	300	22,00	0,108	537	537	266	538	568	510	540	2	58W	
FG606040	600	600	400	25,00	0,144	537	537	366	538	568	510	540	2	66W	
FG608021	600	800	210	26,50	0,101	537	737	176	538	768	510	740	2	66W	
FG608025	600	800	250	28,00	0,120	537	737	216	538	768	510	740	2	68W	
FG608030	600	800	300	29,50	0,144	537	737	266	538	768	510	740	2	72W	
FG608040	600	800	400	32,50	0,192	537	737	366	538	768	510	740	2	78W	
FG609030	600	900	300	33,00	0,162	537	837	266	538	868	510	840	2	77W	
FG6010030	600	1000	300	40,00	0,180	537	937	266	538	968	510	940	2	82W	
FG6012030	600	1200	300	47,00	0,216	537	1137	266	538	1168	510	1140	3	99W	
FG6012040	600	1200	400	52,00	0,288	537	1137	366	538	1168	510	1140	3	110W	
FG806030	800	600	300	28,50	0,144	737	537	266	738	568	710	540	2	68W	
FG808030	800	800	300	42,00	0,192	737	737	266	738	768	710	740	2	84W	
FG8010030	800	1000	300	51,00	0,240	737	937	266	738	968	710	940	2	102W	
FG8012030	800	1200	300	59,50	0,288	737	1137	266	738	1168	710	1140	3	116W	
FG8012040	800	1200	400	65,00	0,384	737	1137	366	738	1168	710	1140	3	125W	
FG6014030	600	1400	300	54,50	0,252	500	1335	266	500	1382	472	1340	1*	110W	
FG6014040	600	1400	400	59,50	0,336	500	1335	366	500	1382	472	1340	1*	120W	
FG8014030	800	1400	300	70,00	0,336	700	1335	266	700	1382	672	1340	1*	130W	
FG8014040	800	1400	400	75,00	0,448	700	1335	366	700	1382	672	1340	1*	132W	
FG8016030	800	1600	300	77	0,384	700	1535	266	700	1582	672	1540	1*	150W	
FG8016040	800	1600	400	84	0,512	700	1535	366	700	1582	672	1540	1*	170W	

* MULTIPOINT CLOSURE SYSTEM B=Base H=Height P=Depth





TECHNICAL DETAILS FQL

CODE	Dimensions			Weight Kg	Vol. m ³	Transparent opening area		Available width for side drilling A	Accessible area through door		Mounting plate		Wall fixing distances		N° of locks	Heat load dissipation
	B	H	P			L	M		C	D	G	I	E	F		
FQL203015	200	300	150	4,00	0,011	95	186	116	143	243	138	268	110	240	1	14W
FQL303015	300	300	150	5,50	0,016	176	186	116	243	243	238	268	210	240	2	18W
FQL303021	300	300	210	6,50	0,023	176	186	176	243	243	238	268	210	240	2	20W
FQL304015	300	400	150	7,00	0,022	176	286	116	243	343	238	368	210	340	2	22W
FQL304021	300	400	210	11,53	0,030	176	286	176	243	343	238	368	210	340	2	25W
FQL403015	400	300	150	9,39	0,022	276	186	116	343	243	338	268	310	240	2	21W
FQL404021	400	400	210	13,87	0,040	276	286	176	343	343	338	368	310	340	2	29W
FQL405021	400	500	210	16,14	0,050	276	386	176	343	443	338	468	310	440	2	35W
FQL405025	400	500	250	18,01	0,060	276	386	216	343	443	338	468	310	440	2	37W
FQL406021	400	600	210	18,41	0,060	276	486	176	343	543	338	568	310	540	2	41W
FQL454521	450	450	210	16,29	0,051	326	336	176	393	393	388	418	360	390	2	35W
FQL454525	450	450	250	18,16	0,061	326	336	216	393	393	388	418	360	390	2	37W
FQL456025	450	600	250	22,06	0,081	326	486	216	393	543	388	568	360	540	2	46W
FQL505021	500	500	210	18,94	0,063	376	386	176	443	443	438	468	410	440	2	41W
FQL505025	500	500	250	20,91	0,075	376	386	216	443	443	438	468	410	440	2	44W
FQL506021	500	600	210	21,66	0,076	376	486	176	443	543	438	568	410	540	2	46W
FQL507021	500	700	210	24,39	0,088	376	586	176	443	643	438	668	410	640	2	52W
FQL507025	500	700	250	26,56	0,105	376	586	216	443	643	438	668	410	640	2	55W
FQL604021	600	400	210	18,56	0,060	476	286	176	543	343	538	368	510	340	2	39W
FQL604525	600	450	250	22,17	0,081	476	336	216	543	393	538	418	510	390	2	44W
FQL606021	600	600	210	24,92	0,091	476	486	176	543	543	538	568	510	540	2	52W
FQL606025	600	600	250	27,09	0,108	476	486	216	543	543	538	568	510	540	2	55W
FQL606030	600	600	300	29,95	0,130	476	486	266	543	543	538	568	510	540	2	58W
FQL606040	600	600	400	36,59	0,173	476	486	366	543	543	538	568	510	540	2	66W
FQL608021	600	800	210	33,05	0,121	476	686	176	543	743	538	768	510	740	2	66W
FQL608025	600	800	250	35,42	0,144	476	686	216	543	743	538	768	510	740	2	68W
FQL608030	600	800	300	38,52	0,173	476	686	266	543	743	538	768	510	740	2	72W
FQL608040	600	800	400	45,67	0,230	476	686	366	543	743	538	768	510	740	2	78W
FQL609030	600	900	300	47,97	0,194	476	786	266	543	843	538	868	510	840	2	77W
FQL6010030	600	1000	300	51,96	0,216	476	886	266	543	943	538	968	510	940	2	82W
FQL6012030	600	1200	300	59,94	0,259	476	1086	266	543	1143	538	1168	510	1140	3	99W
FQL6012040	600	1200	400	70,11	0,346	476	1086	366	543	1143	538	1168	510	1140	3	110W
FQL806030	800	600	300	44,14	0,173	676	486	266	743	543	738	568	710	540	2	68W
FQL808030	800	800	300	54,18	0,230	676	686	266	743	743	738	768	710	740	2	84W
FQL8010030	800	1000	300	64,23	0,288	676	886	266	743	943	738	968	710	940	2	102W
FQL8012030	800	1200	300	74,27	0,346	676	1086	266	743	1143	738	1168	710	1140	3	116W
FQL8012040	800	1200	400	85,07	0,461	676	1086	366	743	1143	738	1168	710	1140	3	125W
FQL6014030	600	1400	300	67,91	0,252	420	1300	266	510	1343	500	1382	472	1340	1*	110W
FQL6014040	600	1400	400	78,71	0,336	420	1300	366	510	1343	500	1382	472	1340	1*	120W
FQL8014030	800	1400	300	84,32	0,336	620	1300	266	710	1343	700	1382	672	1340	1*	130W
FQL8014040	800	1400	400	95,74	0,448	620	1300	366	710	1343	700	1382	672	1340	1*	132W
FQL8016030	800	1600	300	94,36	0,384	620	1500	266	710	1543	700	1582	672	1540	1*	150W
FQL8016040	800	1600	400	106,41	0,512	620	1500	366	710	1543	700	1582	672	1540	1*	170W

* MULTIPOINT CLOSURE SYSTEM



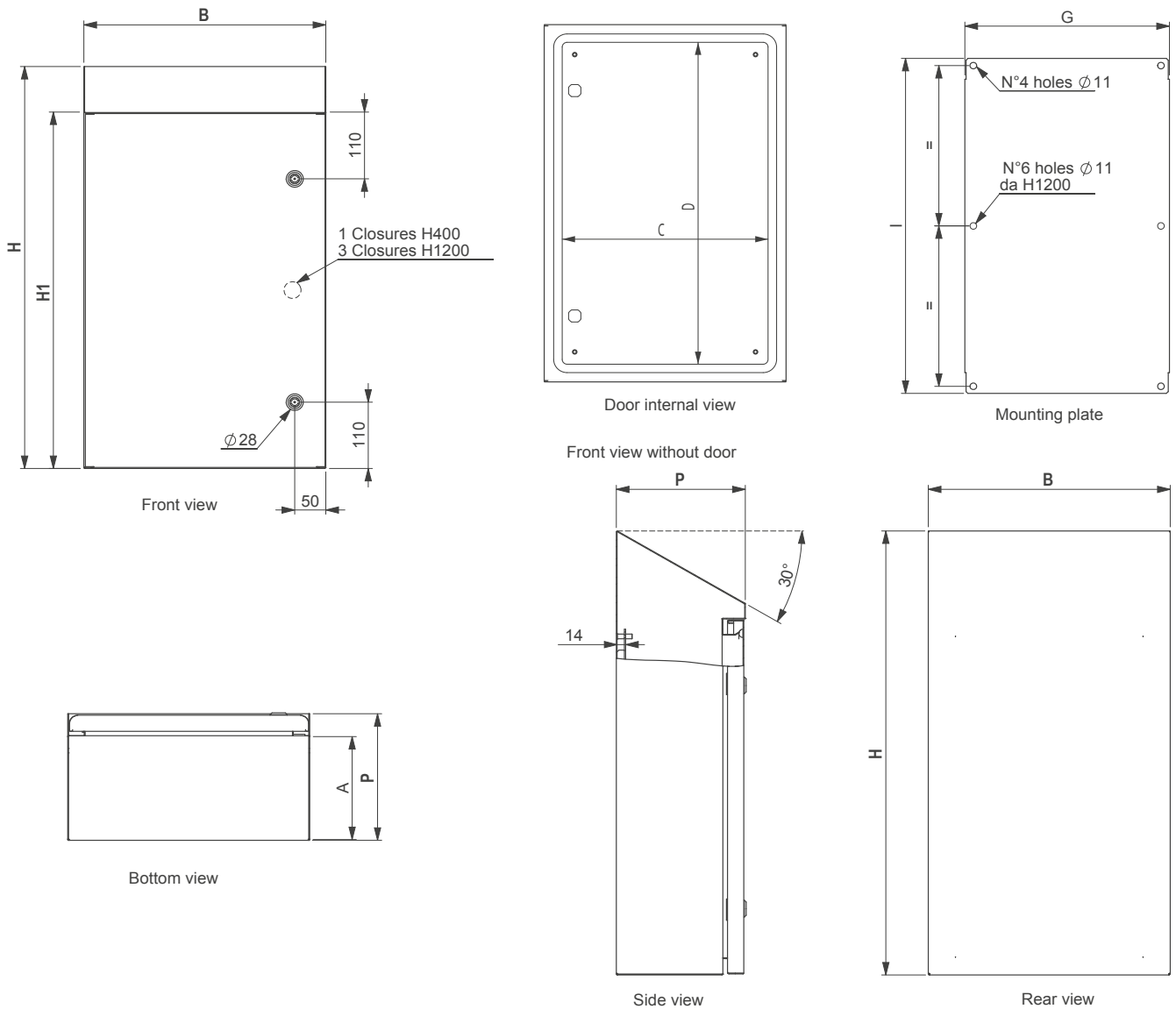
DEGREE OF PROTECTION AND STANDARDS REFERENCE

IP66 IK10

89/392/EEC

EN 62208 : 2011

EN 60529/09.200 - EN 50102/05.96



TECHNICAL DETAILS FHD

CODE	Dimensions				Weight Kg	Volume m ³	Available width for side drilling			Available are for door drilling			Mounting plate		N° of locks	Heat load dissipation
	B	H	H1	P			A	C	D	G	I	-	-			
FHD304015	300	548	400	150	8,00	0,025	116	237	337	238	368	1	22W			
FHD406021	400	748	600	210	15,00	0,063	176	337	537	338	568	2	41W			
FHD507021	500	848	700	210	21,00	0,089	176	437	637	438	668	2	52W			
FHD606025	600	748	600	250	24,00	0,112	216	537	537	538	568	2	55W			
FHD608025	600	948	800	250	31,00	0,142	216	537	737	538	768	2	68W			
FHD808030	800	948	800	300	41,00	0,228	266	737	737	738	768	2	84W			
FHD8012030	800	1348	1200	300	57,00	0,324	266	737	1137	738	1168	3	116W			



DEGREE OF PROTECTION AND REFERENCE STANDARDS

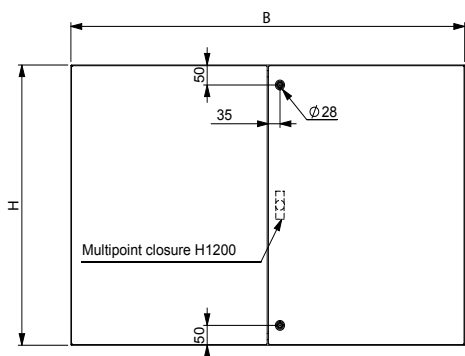
IP55 IK10 - NEMA TYPE 1, 12

89/392/EEC

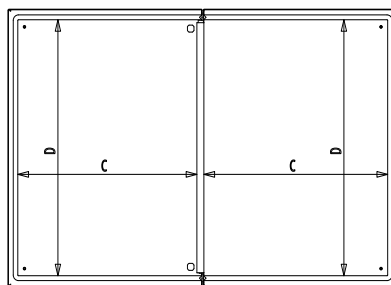
EN 62208 : 2011

UL 508 A - NEMA STANDARD PUBLICATION 250

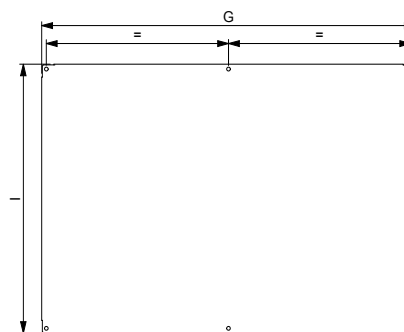
EN 60529/09.200 - EN 50102/05.96



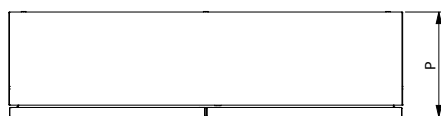
Front view



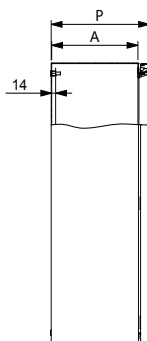
Door inner view



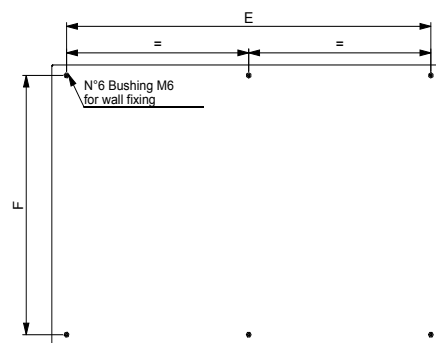
Mounting plate



Top view



Side view



Rear view

Smart Enclosure

TECHNICAL DETAILS FQ

CODE	Dimensions			Weight Kg	Volume m³	Available with for side drilling			Mounting plate		Wall fixing distance		N° of locks	Heat load dissipation
	B	H	P			A	C	D	G	I	E	F		
FQ1006030	1000	600	300	41,0	0,180	266	418,5	537	938	568	910	540	2	102W
FQ1008030	1000	800	300	52,0	0,240	266	418,5	737	938	768	910	740	2	124W
FQ10010030	1000	1000	300	62,5	0,300	266	418,5	937	938	968	910	940	3	124W
FQ10010040	1000	1000	400	68,0	0,400	366	418,5	937	938	968	910	940	3	156W
FQ1208030	1200	800	300	61,0	0,288	266	518,5	737	1138	768	1110	740	2	145W
FQ10012030**	1000	1200	300	75,0	0,360	266	320	1076	900	1182	872	1140	1*	145W
FQ10012040**	1000	1200	400	80,0	0,480	366	320	1076	900	1182	872	1140	1*	156W
FQ10014030**	1000	1400	300	85,0	0,420	266	320	1276	900	1382	872	1340	1*	162W
FQ10014040**	1000	1400	400	91,0	0,560	366	320	1276	900	1382	872	1340	1*	162W
FQ12012030**	1200	1200	300	88,0	0,432	266	420	1076	1100	1182	1072	1140	1*	162W
FQ12012040**	1200	1200	400	95,0	0,576	366	420	1076	1100	1182	1072	1140	1*	162W
FQ12014030**	1200	1400	300	100,0	0,504	266	420	1276	1100	1382	1072	1340	1*	162W
FQ12014040**	1200	1400	400	106,0	0,672	366	420	1276	1100	1382	1072	1340	1*	162W
FQ14014040**	1400	1400	400	110,0	0,784	366	520	1276	1300	1382	1272	1340	1*	212W

* N. 3 MULTIPOINT CLOSURE

** ENCLOSURE NOT UL CERTIFIED



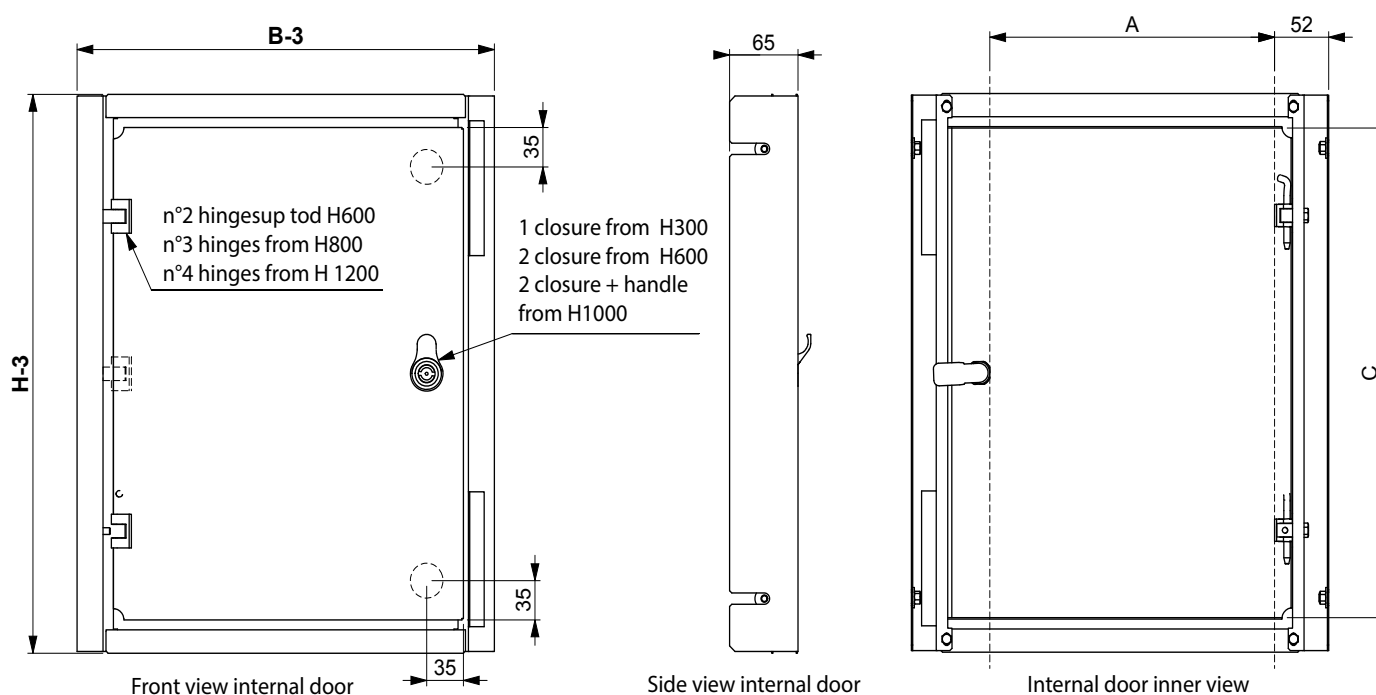
KCS: Internal door

Internal door made of stainless steel with 90 ° opening, hinged on the internal frame and fixed by studs.



* INTERNAL DOOR IS ADJUSTABLE ON DEPTH FROM A MIN. OF 40 MM AND A MAX OF 60 MM , FROM THE OUTER DOOR

Technical drawings





TECHNICAL DETAILS

CODE	Dimensions		Weight Kg	Volume m³	Available area for internal door drilling		N° Locks	N°Hinges
	B	H			A	C		
KCS3030H	300	300	1,80	0,006	170	235	1	2
KCS3040H	300	400	2,30	0,008	170	335	1	2
KCS4040H	400	400	2,80	0,010	270	335	1	2
KCS4050H	400	500	3,50	0,013	270	435	1	2
KCS4060H	400	600	4,20	0,016	270	535	1	2
KCS4545H	450	450	3,50	0,013	320	385	1	2
KCS4560H	450	600	4,50	0,018	320	535	1	2
KCS5050H	500	500	4,40	0,016	370	435	1	2
KCS5070H	500	700	5,50	0,023	370	635	1	2
KCS6040H	600	400	4,00	0,016	470	335	1	2
KCS6045H	600	450	4,50	0,018	470	385	1	2
KCS6060H	600	600	5,50	0,023	470	535	1	2
KCS6080H	600	800	7,50	0,031	470	735	2	3
KCS6090H	600	900	8,00	0,035	470	835	2	3
KCS60100H	600	1000	9,00	0,039	470	935	2*	3
KCS60120H	600	1200	11,00	0,047	470	1135	2*	4
KCS60140H	600	1400	13,50	0,055	435	1335	2*	4
KCS60160H	600	1600	15,50	0,062	435	1535	2*	4
KCS8080H	800	800	10,00	0,042	670	735	2	3
KCS80100H	800	1000	11,50	0,052	670	935	2*	3
KCS80120H	800	1200	13,50	0,062	670	1135	2*	4
KCS80140H	800	1400	16,50	0,073	635	1335	2*	4
KCS80160H	800	1600	19	0,083	635	1535	2*	4
KCS8060H	800	600	7,50	0,031	670	535	1	2
KCS5060H	500	600	5,00	0,019	370	470	1	2

* 2 CLOSURES + HANDLE



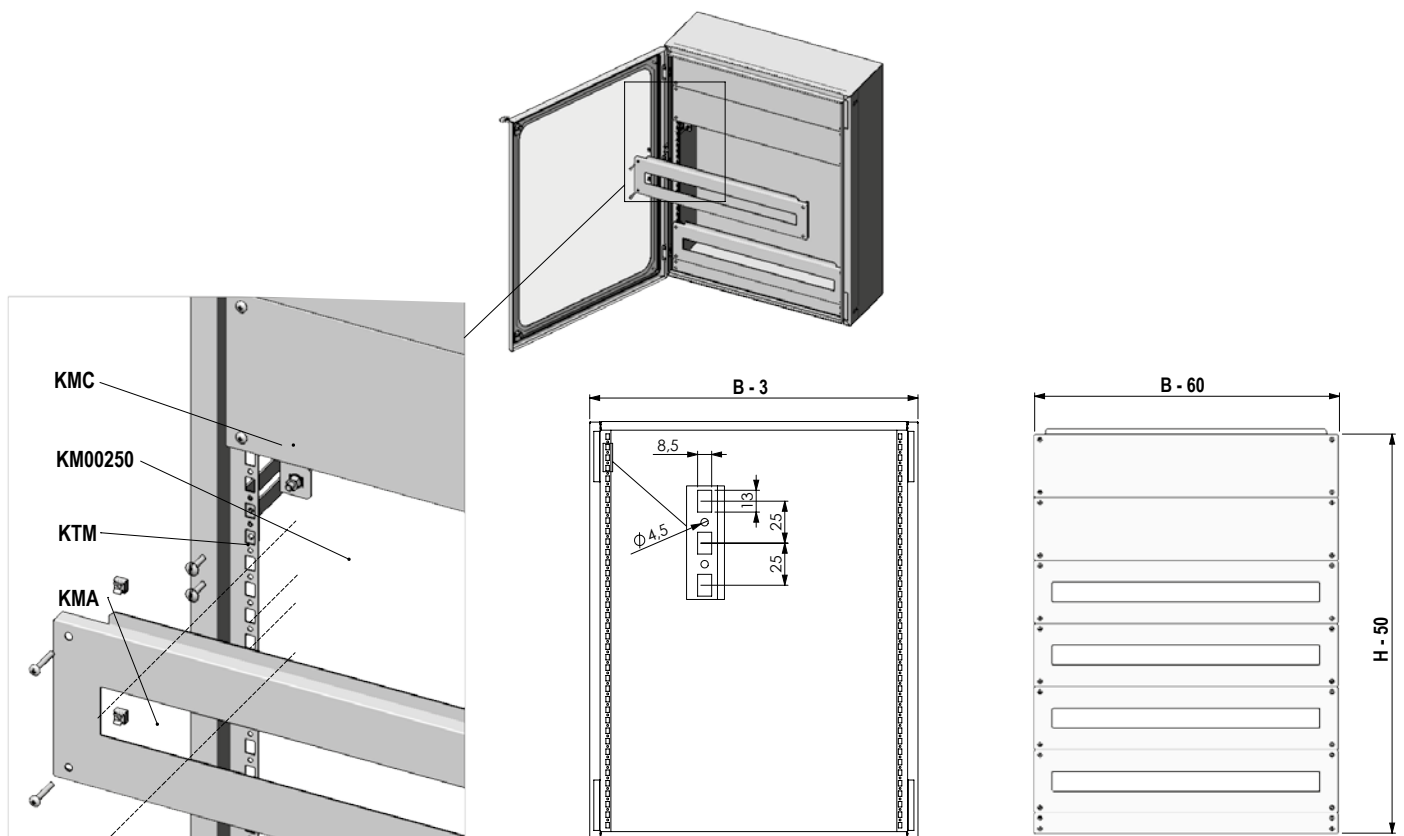
KTM: Modular frame and modular panels

Modular frame kit, made of profiles, to fix modular equipment.



* Frame adjustable in depth from a minimum of 40mm to a maximum of 60mm from the outer door.

Technical drawings





TECHNICAL DETAILS

CODE	Description	Dimensions		Weight Kg	Modular panels Nr.
		B	H		
KTM4050H	Modular kit for smart series	397	497	1,68	3
KTM5060H	Modular kit for smart series	497	597	2,30	3+2*
KTM6060H	Modular kit for smart series	597	597	2,91	3+2*
KTM6090H	Modular kit for smart series	597	897	3,22	5+2*
KTM60100H	Modular kit for smart series	597	997	4,15	6+1*
KTM80100H	Modular kit for smart series	797	997	4,50	6+1*
KTM80120H	Modular kit for smart series	797	1197	4,76	7+2*

* SOLID PANEL H50 FOR TERMINAL BLOCK

TECHNICAL DETAILS

CODE	Description	Dimensions		Weight Kg	Modular panels Nr.
		B	H		
KMA4015H	Modular open panel kit for smart series	340	150	0,60	15
KMA5015H	Modular open panel kit for smart series	440	150	0,70	20
KMA6015H	Modular open panel kit for smart series	540	150	0,80	26
KMA8015H	Modular open panel kit for smart series	740	150	1,00	37
KMC4015H	Modular open panel kit for smart series	340	150	0,65	-
KMC5015H	Modular open panel kit for smart series	440	150	0,75	-
KMC6015H	Modular open panel kit for smart series	540	150	0,90	-
KMC8015H	Modular open panel kit for smart series	740	150	1,10	-
KMC405H	Modular open panel kit for smart series	340	50	0,25	-
KMC505H	Modular open panel kit for smart series	440	50	0,35	-
KMC605H	Modular open panel kit for smart series	540	50	0,45	-
KMC805H	Modular open panel kit for smart series	740	50	0,60	-
KM00250	Fixing kit on DIN rail	-	-	0,20	-

ON REQUEST AISI 316L

CHANGE THE LAST LETTER OF THE CODE:

H = AISI 304L (standard)

L = AISI 316L



PPS: Doors profiles

Kit of crossbars to fix devices on the inner door



TECHNICAL DETAILS

CODE	Description	Supports drilling distance	N. Holes
		H	N.
PPS40G	Door profile series smart H	320	11
PPS45G	Door profile series smart H	370	15
PPS50G	Door profile series smart H	420	19
PPS60G	Door profile series smart H	520	27
PPS70G	Door profile series smart H	620	35
PPS80G	Door profile series smart H	720	43
PPS90G	Door profile series smart H	820	51
PPS100G	Door profile series smart H	920	59
PPS120G	Door profile series smart H	1120	72
PPS140G	Door profile series smart H	1320	91
PPS160G	Door profile series smart H	1520	107



FGS: Cable gland flange

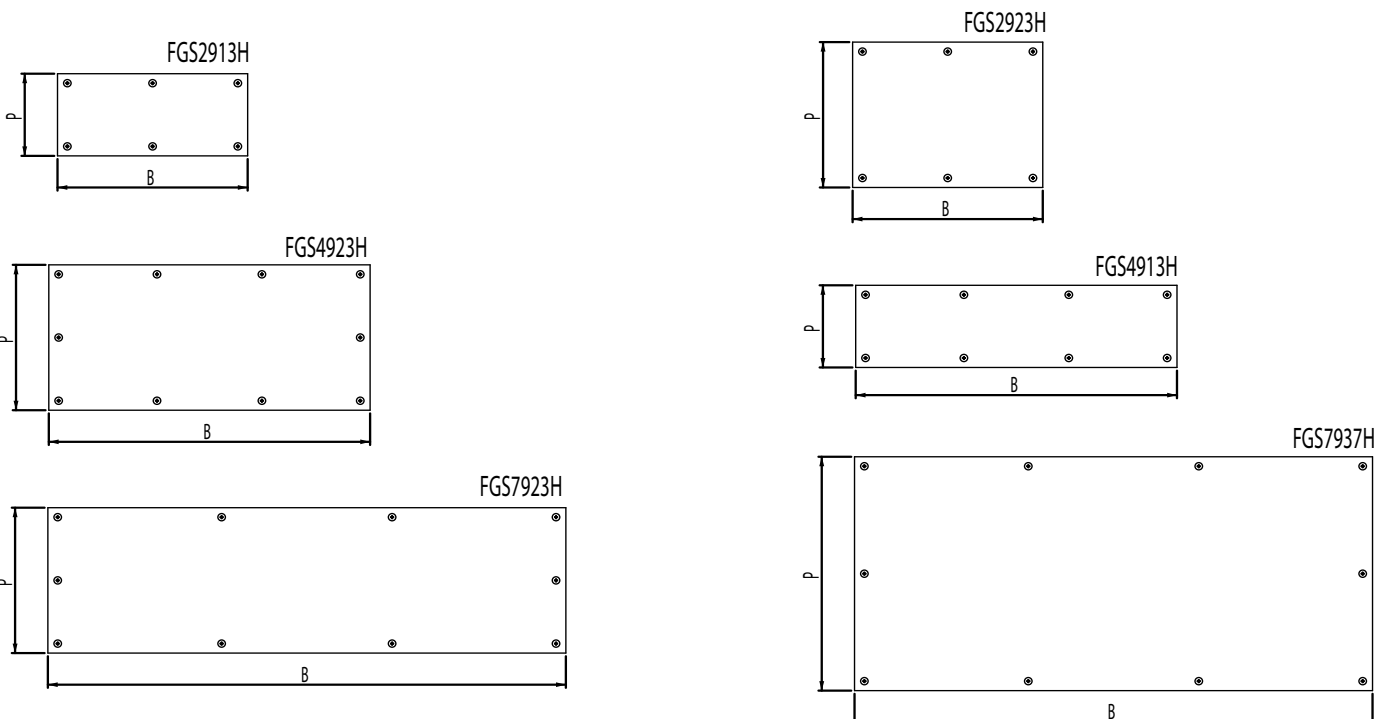
Stainless steel plate with polyurethane gasket, suitable for cable gland installation.



On request AISI 316L
 Change the last letter of the code:
 H = AISI 304L (standard)
 L = AISI 316L

TECHNICAL DETAILS				
CODE	Dimensions		Enclosure Dimensions	
	B	P	B	P
FGS2913H	290	130	≥ 300 A < 500	DA 210 A 250
FGS2923H	290	230	≥ 300 A < 500	DA 300 A 400
FGS4913H	490	130	≥ 500 A < 800	DA 210 A 250
FGS4923H	490	230	≥ 500 A < 800	DA 300 A 400
FGS7923H	790	230	≥ 800 A < 1000	300
FGS7937H	790	360	≥ 800 A < 1000	400

Technical drawings





TPS: Rain canopy

In outdoor settings , to ensure greater protection from atmospheric agents, it is possible to provide a canopy, fixed to the structural frame by means of fasteners . Made of AISI 304L or, on request , made of AISI 316L.

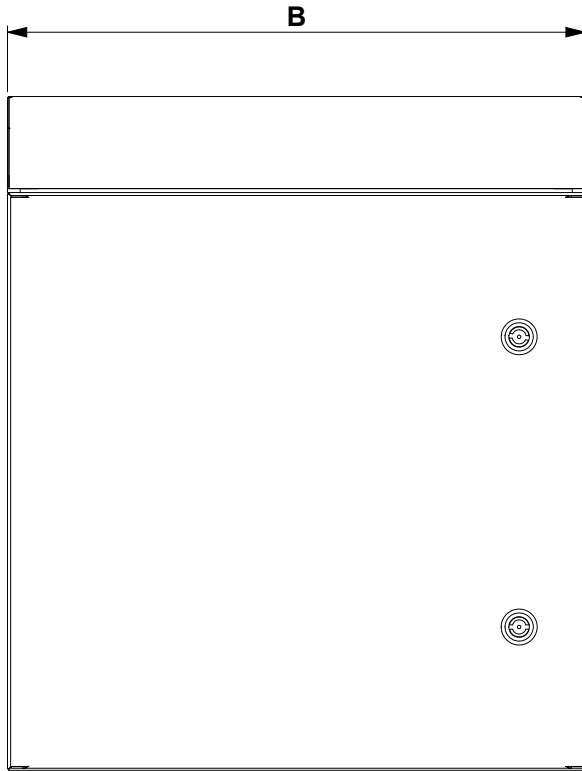


TECHNICAL DETAILS

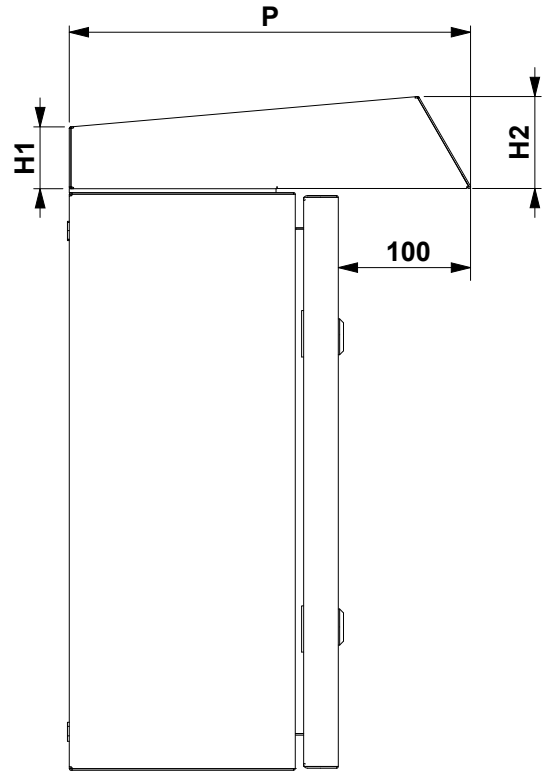
CODE	Dimensions				Weight	Volume
	B	H1	H2	P		
TPS2015	200	48	72	250	1,38	0,003
TPS3015	300	48	72	250	1,81	0,005
TPS3021	300	48	72	310	2,14	0,006
TPS4015	400	48	72	250	2,25	0,006
TPS4021	400	48	72	310	2,65	0,007
TPS4025	400	48	72	350	2,92	0,008
TPS4521	450	48	72	310	2,91	0,008
TPS4525	450	48	72	350	3,20	0,009
TPS5021	500	48	72	310	3,16	0,009
TPS5025	500	48	72	350	3,48	0,011
TPS6021	600	48	72	310	3,68	0,011
TPS6025	600	48	72	350	4,05	0,013
TPS6030	600	48	72	400	4,51	0,014
TPS6040	600	48	72	500	5,44	0,018
TPS8030	800	48	72	400	5,77	0,019
TPS8040	800	48	72	500	6,96	0,024
TPS10030	1000	48	72	400	7,04	0,024
TPS10040	1000	48	72	500	8,48	0,030
TPS12030	1200	48	72	400	8,30	0,029
TPS12040	1200	48	72	500	10,00	0,036
TPS14040	1400	48	72	500	11,52	0,042



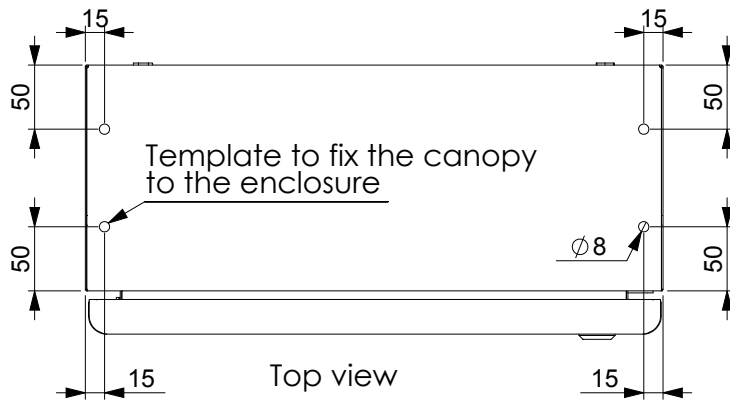
Technical drawings



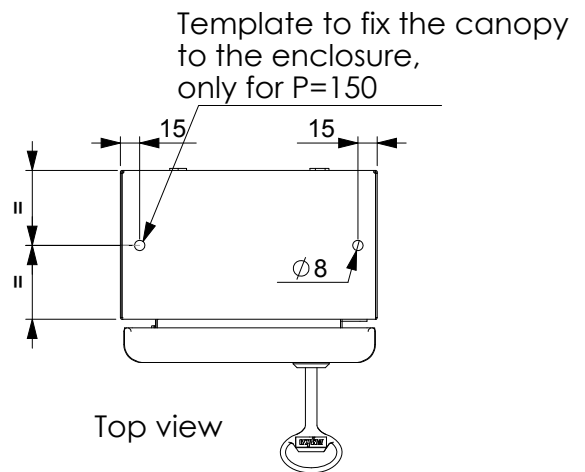
Front view



Side view



Top view



Top view



KMG: Gas spring kit

Gas spring to keep the door open, avoiding accidental closures during operations



TECHNICAL DETAILS

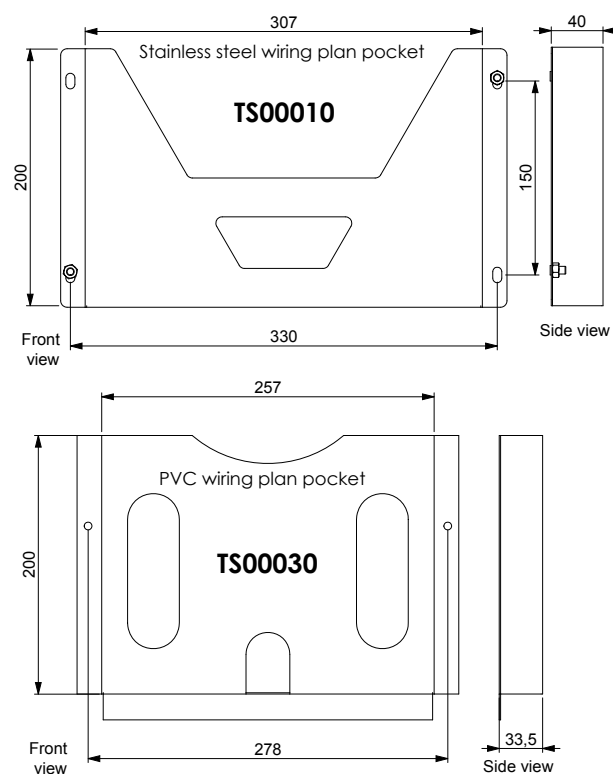
CODE	Description
KMG00005	5 KG gas spring kit
KMG00010	10 KG gas spring kit
KMG00015	15 KG gas spring kit
KMG00020	20 KG gas spring kit

TS: Wiring plan pocket

Internal pockets suitable for document archiving. Available in steel and PVC.



Technical drawings





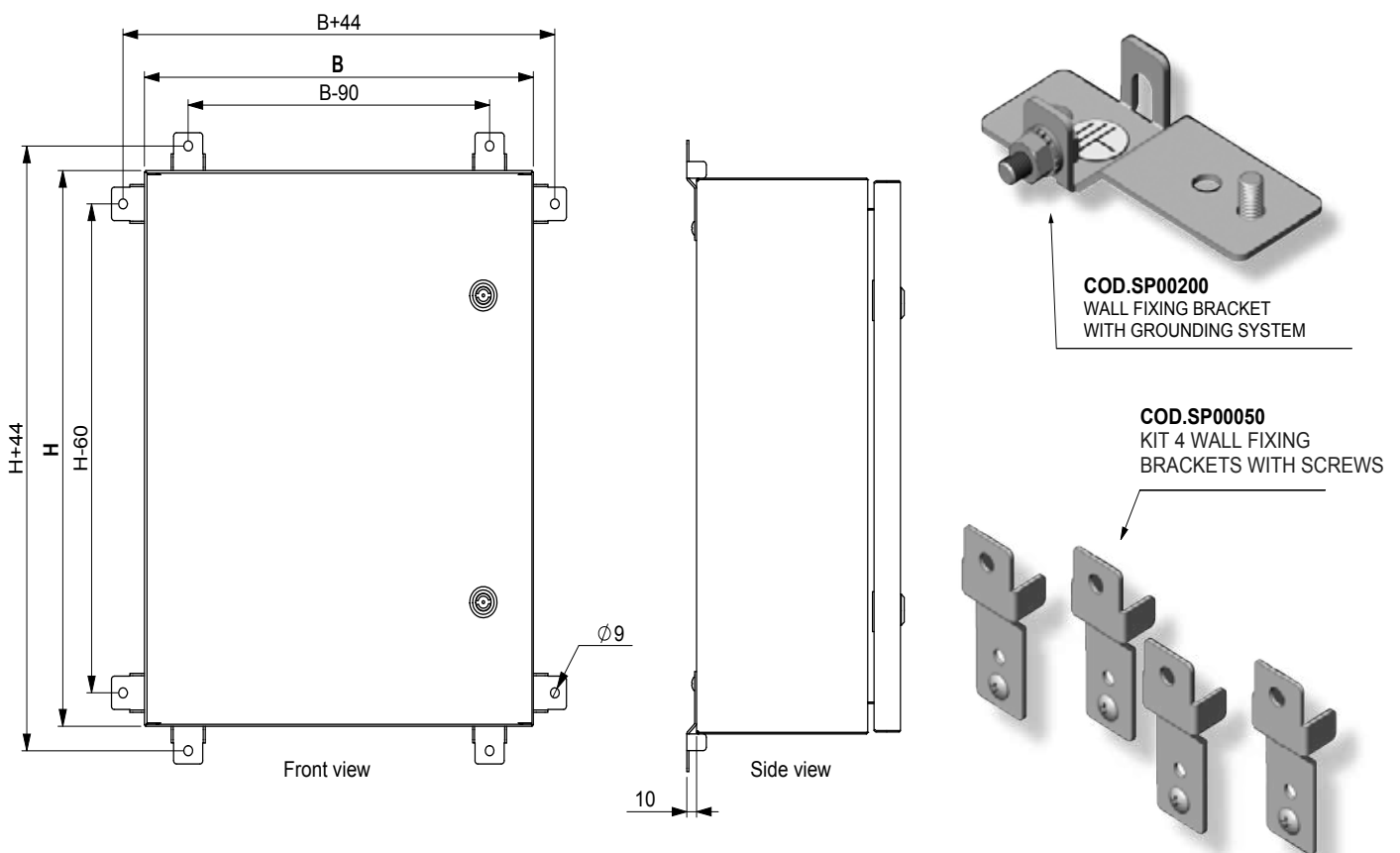
SP: Wall fixing brackets

Wall mounting kit including screws and brackets.



Smart Enclosure

Technical drawings

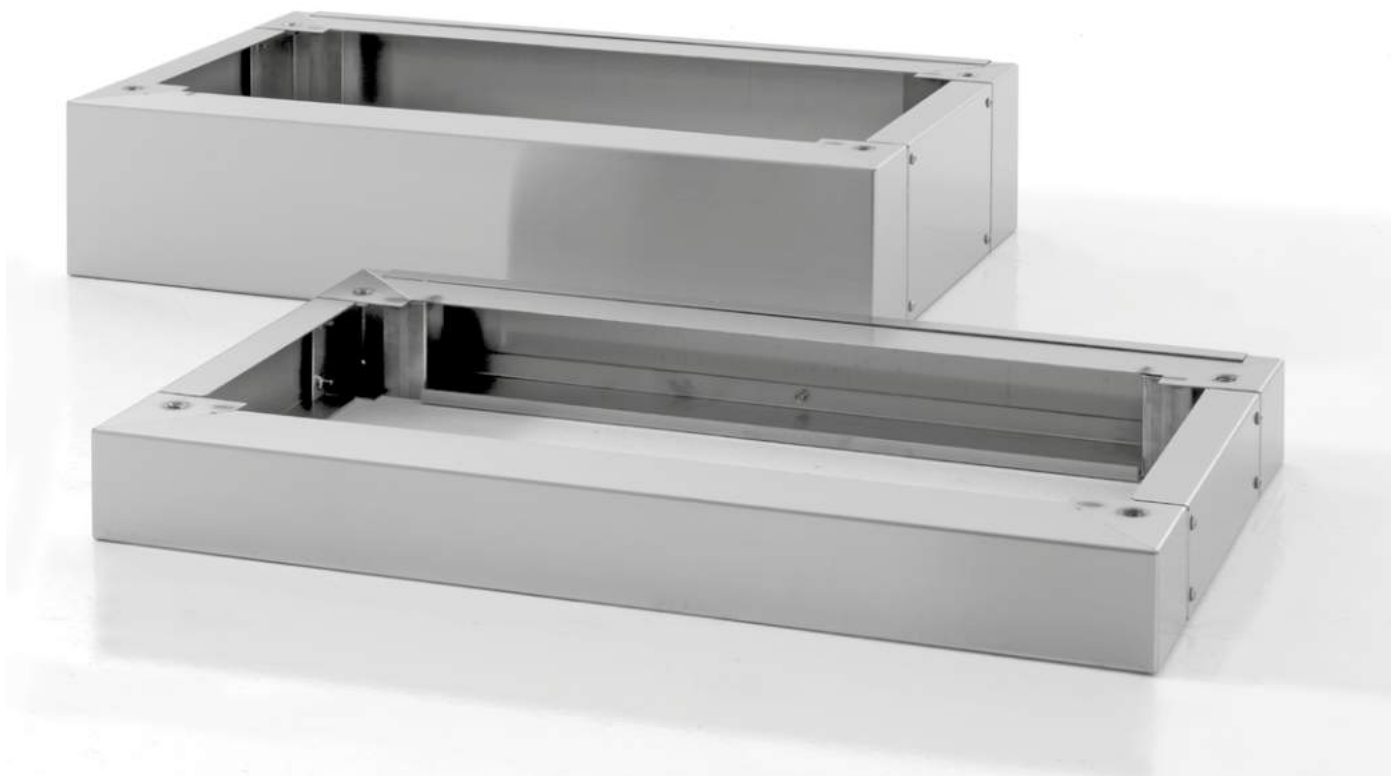




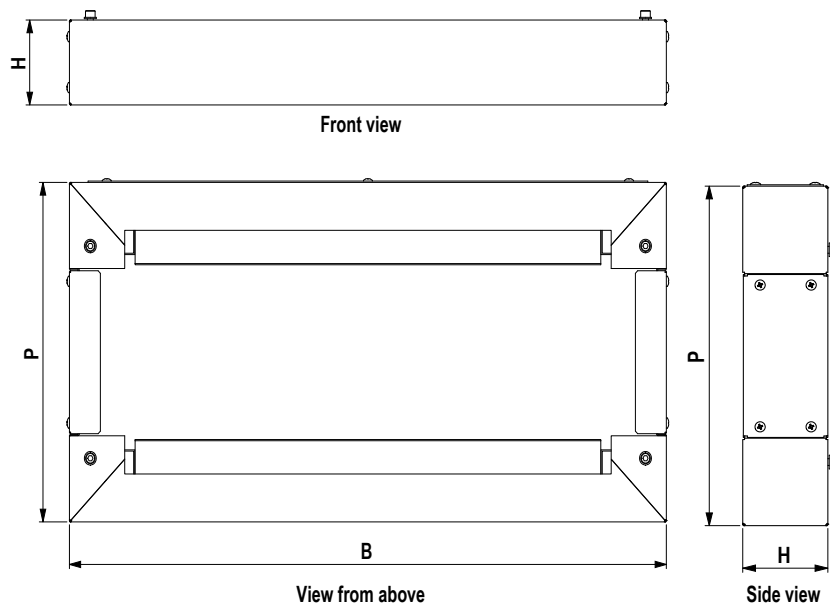
FZQ: Plinth

The FZQ3 plinth is made of stainless steel, to provide a floor mounting.

Heights can be: H100 or H200mm. The plinth can be inspected on the sides with openings on the bottom. In very adverse settings, where maximum protection from atmospheric agents is required, the FZQ3 S version is a hygienic plinth with a closed bottom that can be installed for H100 and H200mm sizes; can be inspected through flanged sides.



Technical drawings





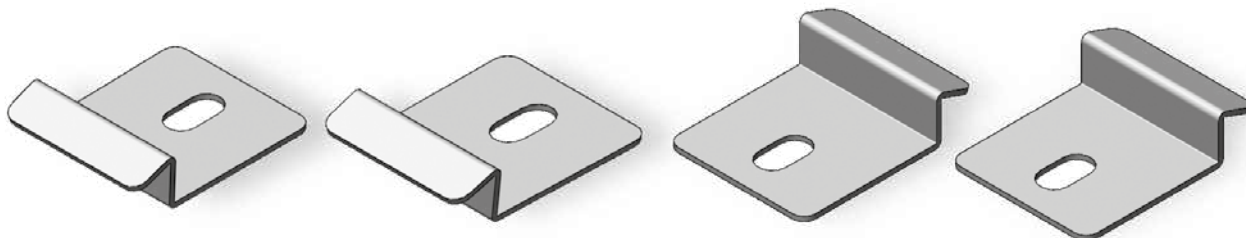
TECHNICAL DETAILS

CODE	Dimensions		
	B	H	P
FZQ3601030	600	100	300
FZQ3601040	600	100	400
FZQ3801030	800	100	300
FZQ3801040	800	100	400
FZQ31001030	1000	100	300
FZQ31001040	1000	100	400
FZQ31201030	1200	100	300
FZQ31201040	1200	100	400
FZQ3602030	600	200	300
FZQ3602040	600	200	400
FZQ3802030	800	200	300
FZQ3802040	800	200	400
FZQ31002030	1000	200	300
FZQ31002040	1000	200	400
FZQ31202030	1200	200	300
FZQ31202040	1200	200	400

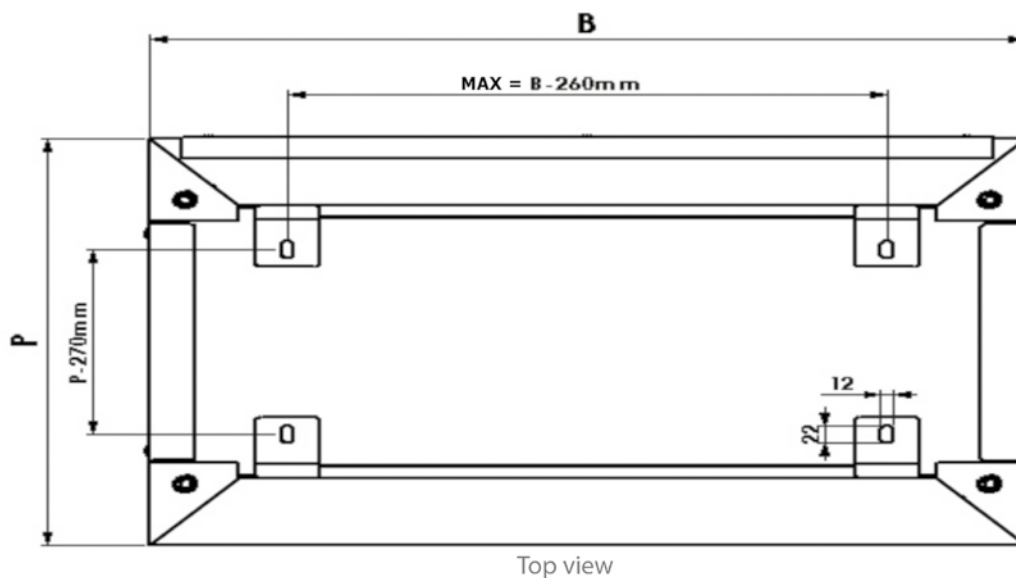
Smart
Enclosure

KFZP: Floor plinth fixing kit

The KFZP Kit cannot be mounted when the plinth has a FZ ... S hygienic base, so anchors should be used for these plinths.



Technical drawings





PP/PPT: Protection-inspection windows

Used to assure protection of the controls, the PPT windows are provided with a stainless steel frame, with direct fixing of the PP windows. The doors of the windows have a glued lexan on the door, as well as a sealing gasket and a Yale lock wing type.



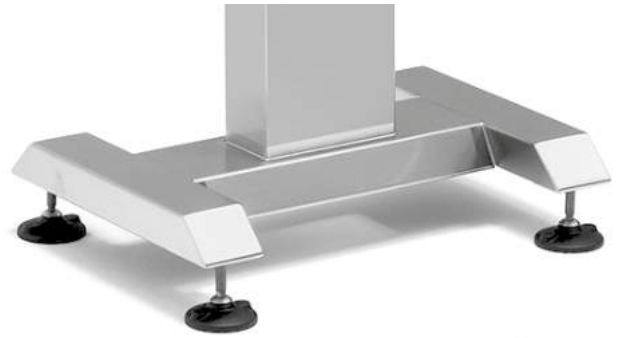
TECHNICAL DETAILS

CODE	Description	Dimensions		
		B	H	P
PP300300	Window with direct fixing	300	300	55
PP400400	Window with direct fixing	400	400	55
PP450450	Window with direct fixing	450	450	55
PP500500	Window with direct fixing	500	500	55
PP500750	Window with direct fixing	500	750	55
PP600800	Window with direct fixing	600	800	55
PPT400400	Window with frame	400	400	95
PPT450450	Window with frame	450	450	95
PPT500500	Window with frame	500	500	95
PPT500750	Window with frame	500	750	95
PPT600800	Window with frame	600	800	95



Pedestal for Smart Series PDP00020

Floor support including a base for floor fixing, a rectangular profile column, with a rear opening for cables passage.



Smart
Enclosure

Technical drawings

