

# ARMOD



## FR Series: Modular stainless steel cabinet with 1 door

The FR series of stainless steel cabinets has been manufactured in compliance with the most recent international standards, with completely innovative construction design, performing solidity, protection and cleanliness. Available in single or double door configuration. The IP66 degree of protection, the removable and replaceable rear side with a door and the scotch-brite finishing are among the main characteristics of the FR series, being therefore the ideal solution for applications in aggressive settings typical of the food, chemical, pharmaceutical or outdoor applications. **Of course it is possible to supply tailor-made cabinets in accordance to customers needs.** Doors with transparent 3 + 3mm safety glass are available upon request.



### DEGREE OF PROTECTION AND REFERENCE STANDARDS

IP66 IK10  
NEMA TYPE 1, 12, 4, 4X

89/392/EEC

EN 62208 : 2011

UL 508 A  
NEMA STANDARD PUBLICATION 250

EN 60529/09.200  
EN 50102/05.96



## FR Series: Modular stainless steel cabinet with 2 doors

Beside the standard design , we are available to supply **tailormade cabinets in accordance to customer's needs.**

As option, are available arrangements including doors with 3 + 3 mm safety glass.

Width 1200mm, IP55, 2 double leaf doors, without central upright.

Width 1600 / 2400mm - IP66, 2/3 single (independent) doors 800mm wide , with welded central upright.



### DEGREE OF PROTECTION AND REFERENCE STANDARDS

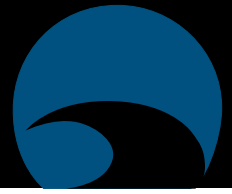
IP55 IK10 - IP66 IK10  
NEMA TYPE 1, 12, 4, 4X

89/392/EEC

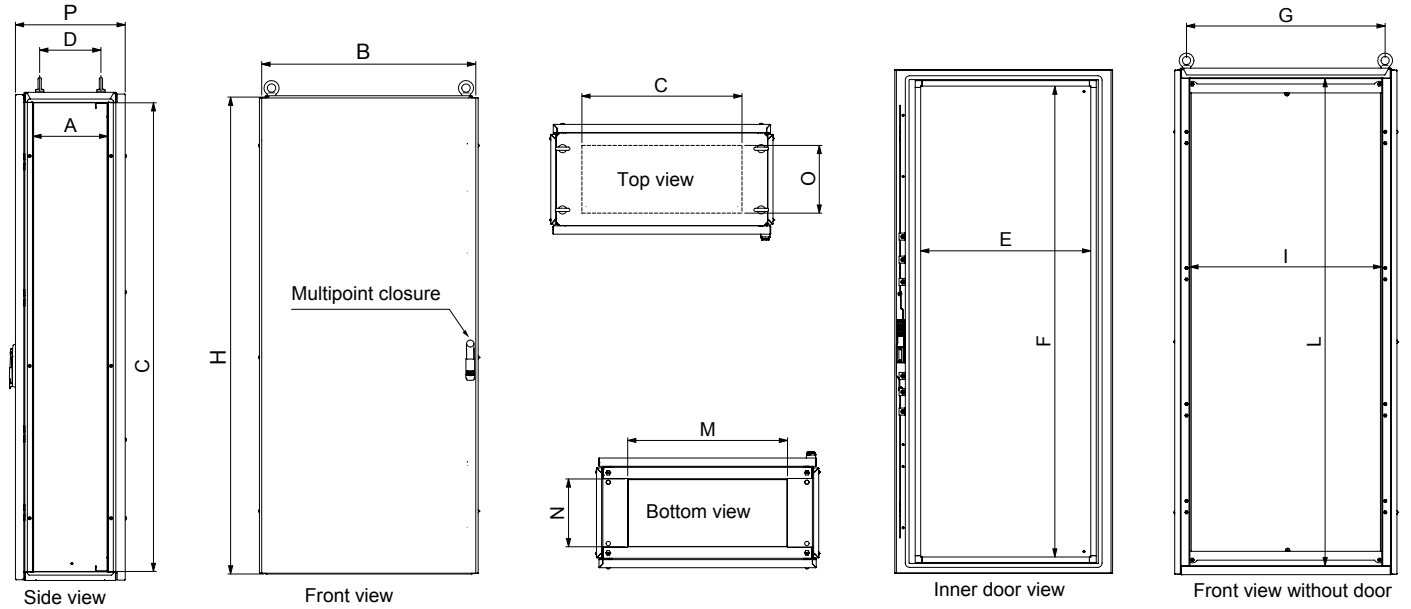
EN 62208 : 2011

UL 508 A  
NEMA STANDARD PUBLICATION 250

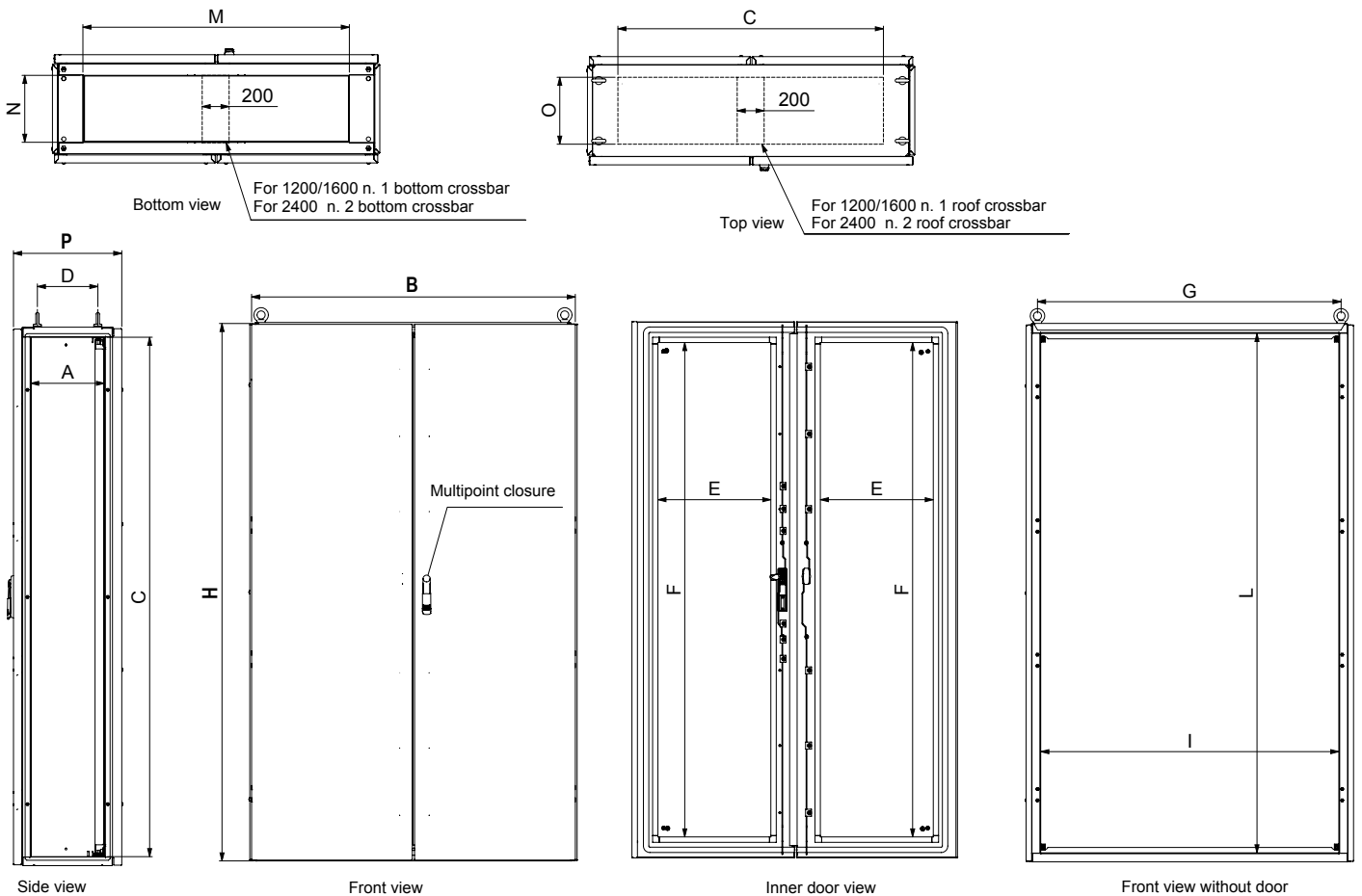
EN 60529/09.200  
EN 50102/05.96



### 1 door cabinets



### 2 doors cabinets



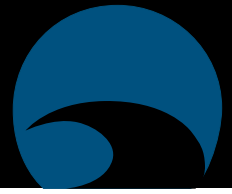


## FR - SOLID DOOR CABINETS

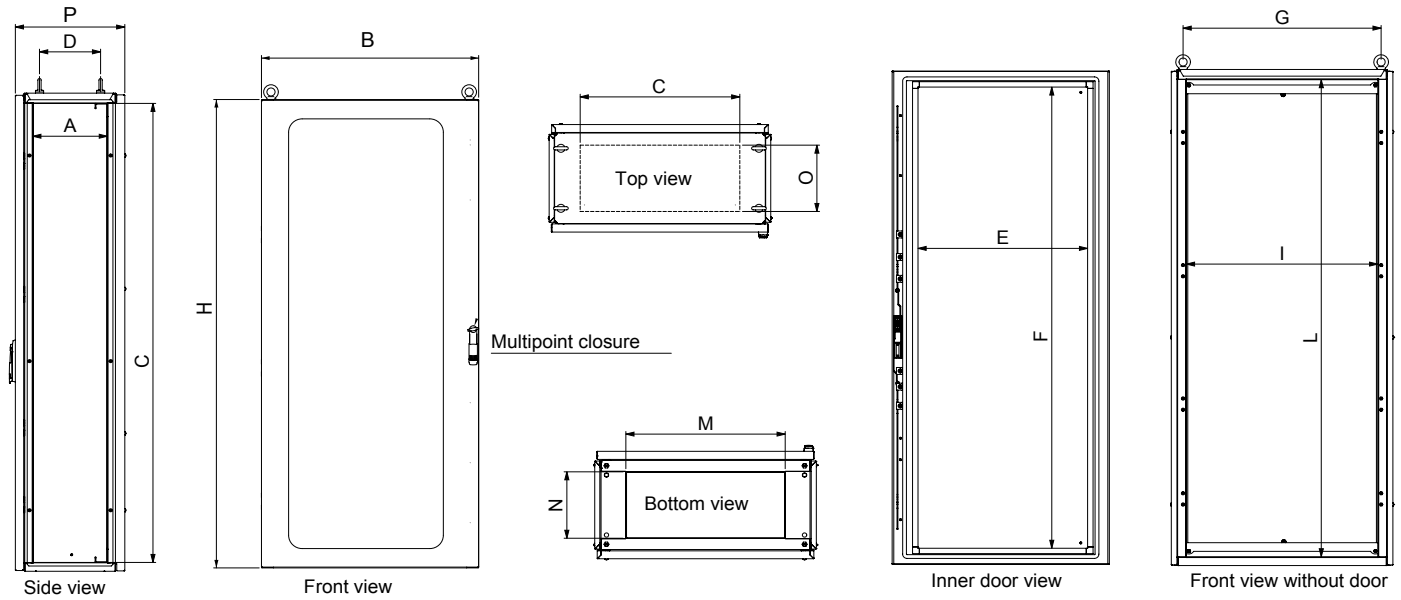
CODE	Dimensions			Weight Kg	Vol. m³	Door Accessible area		Available width for side drilling A	Clear height C	Accessible area for bottom cable entry		Top cabinet accessible area for roof drilling		Front cabinet accessible area		Eyebolts distance		Heat load dissipation
	B	H	P			E	F			M	N	C	O	I	L	G	D	
FR4018040	414	1800	400	70	0,288	220	1640	285	1720	200	160	250	220	280	1720	344	250	135W
FR4018050	414	1800	500	75	0,360	220	1640	385	1720	200	260	250	320	280	1720	344	350	155W
FR4018060	414	1800	600	80	0,432	220	1640	485	1720	200	360	250	420	280	1720	344	450	173W
FR4018080	414	1800	800	85	0,576	220	1640	685	1720	200	560	250	620	280	1720	344	650	211W
FR6018040	614	1800	400	85	0,432	420	1640	285	1720	400	160	450	220	480	1720	544	250	173W
FR6018050	614	1800	500	100	0,540	420	1640	385	1720	400	260	450	320	480	1720	544	350	194W
FR6018060	614	1800	600	115	0,648	420	1640	485	1720	400	360	450	420	480	1720	544	450	214W
FR6018080	614	1800	800	120	0,864	420	1640	685	1720	400	560	450	620	480	1720	544	650	255W
FR8018040	814	1800	400	120	0,576	620	1640	285	1720	600	160	650	220	680	1720	744	250	211W
FR8018050	814	1800	500	125	0,720	620	1640	385	1720	600	260	650	320	680	1720	744	350	233W
FR8018060	814	1800	600	130	0,864	620	1640	485	1720	600	360	650	420	680	1720	744	450	255W
FR8018080	814	1800	800	150	1,152	620	1640	685	1720	600	560	650	620	680	1720	744	650	299W
FR10018040	1014	1800	400	170	0,720	820	1640	285	1720	800	160	850	220	880	1720	944	250	248W
FR10018050	1014	1800	500	175	0,900	820	1640	385	1720	800	260	850	320	880	1720	944	350	272W
FR10018060	1014	1800	600	180	1,080	820	1640	485	1720	800	360	850	420	880	1720	944	450	296W
FR10018080	1014	1800	800	185	1,440	820	1640	685	1720	800	560	850	620	880	1720	944	650	343W
FR12018040*	1228	1800	400	160	0,864	420	1640	285	1720	400x2	160	450x2	220	1095	1720	1158	250	286W
FR12018050*	1228	1800	500	170	1,080	420	1640	385	1720	400x2	260	450x2	320	1095	1720	1158	350	311W
FR12018060*	1228	1800	600	180	1,296	420	1640	485	1720	400x2	360	450x2	420	1095	1720	1158	450	337W
FR12018080*	1228	1800	800	205	1,728	420	1640	685	1720	400x2	560	450x2	620	1095	1720	1158	650	388W
FR16018040*	1628	1800	400	230	1,152	620	1640	285	1720	600x2	160	650x2	220	680x2	1720	1558	250	360W
FR16018050*	1628	1800	500	245	1,440	620	1640	385	1720	600x2	260	650x2	320	680x2	1720	1558	350	389W
FR16018060*	1628	1800	600	260	1,728	620	1640	485	1720	600x2	360	650x2	420	680x2	1720	1558	450	418W
FR16018080*	1628	1800	800	270	2,304	620	1640	685	1720	600x2	560	650x2	620	680x2	1720	1558	650	476W
FR24018040**	2442	1800	400	355	1,728	620	1640	285	1720	600x3	160	650x3	220	680x3	1720	2372	250	520W
FR24018050**	2442	1800	500	370	2,160	620	1640	385	1720	600x3	260	650x3	320	680x3	1720	2372	350	546W
FR24018060**	2442	1800	600	385	2,592	620	1640	485	1720	600x3	360	650x3	420	680x3	1720	2372	450	581W
FR24018080**	2442	1800	800	400	3,456	620	1640	685	1720	600x3	560	650x3	620	680x3	1720	2372	650	653W
FR4020040	414	2000	400	80	0,320	220	1840	285	1920	200	160	250	220	280	1920	344	250	129W
FR4020050	414	2000	500	85	0,400	220	1840	385	1920	200	260	250	320	280	1920	344	350	170W
FR4020060	414	2000	600	90	0,480	220	1840	485	1920	200	360	250	420	280	1920	344	450	190W
FR4020080	414	2000	800	95	0,640	220	1840	685	1920	200	560	250	620	280	1920	344	650	231W
FR6020040	614	2000	400	100	0,480	420	1840	285	1920	400	160	450	220	480	1920	544	250	190W
FR6020050	614	2000	500	115	0,600	420	1840	385	1920	400	260	450	320	480	1920	544	350	231W
FR6020060	614	2000	600	130	0,720	420	1840	485	1920	400	360	450	420	480	1920	544	450	235W
FR6020080	614	2000	800	140	0,960	420	1840	685	1920	400	560	450	620	480	1920	544	650	279W
FR8020040	814	2000	400	140	0,640	620	1840	285	1920	600	160	650	220	680	1920	744	250	231W
FR8020050	814	2000	500	145	0,800	620	1840	385	1920	600	260	650	320	680	1920	744	350	255W
FR8020060	814	2000	600	150	0,960	620	1840	485	1920	600	360	650	420	680	1920	744	450	279W
FR8020080	814	2000	800	175	1,280	620	1840	685	1920	600	560	650	620	680	1920	744	650	326W
FR10020040	1014	2000	400	180	0,800	820	1840	285	1920	800	160	850	220	880	1920	944	250	272W
FR10020050	1014	2000	500	190	1,000	820	1840	385	1920	800	260	850	320	880	1920	944	350	298W
FR10020060	1014	2000	600	200	1,200	820	1840	485	1920	800	360	850	420	880	1920	944	450	323W
FR10020080	1014	2000	800	210	1,600	820	1840	685	1920	800	560	850	620	880	1920	944	650	374W
FR12020040*	1228	2000	400	190	0,960	420	1840	285	1920	400x2	160	450x2	220	1095	1720	1158	250	313W
FR12020050*	1228	2000	500	205	1,200	420	1840	385	1920	400x2	260	450x2	320	1095	1720	1158	350	340W
FR12020060*	1228	2000	600	220	1,440	420	1840	485	1920	400x2	360	450x2	420	1095	1720	1158	450	367W
FR12020080*	1228	2000	800	235	1,920	420	1840	685	1920	400x2	560	450x2	620	1095	1720	1158	650	422W
FR16020040*	1628	2000	400	260	1,280	620	1840	285	1920	600x2	160	650x2	220	680x2	1720	1558	250	394W
FR16020050*	1628	2000	500	280	1,600	620	1840	385	1920	600x2	260	650x2	320	680x2	1720	1558	350	425W
FR16020060*	1628	2000	600	300	1,920	620	1840	485	1920	600x2	360	650x2	420	680x2	1720	1558	450	456W
FR16020080*	1628	2000	800	310	2,560	620	1840	685	1920	600x2	560	650x2	620	680x2	1720	1558	650	517W
FR24020040**	2442	2000	400	400	1,920	620	1840	285	1920	600x3	160	650x3	220	680x3	1720	2372	250	565W
FR24020050**	2442	2000	500	425	2,400	620	1840	385	1920	600x3	260	650x3	320	680x3	1720	2372	350	595W
FR24020060**	2442	2000	600	450	2,880	620	1840	485	1920	600x3	360	650x3	420	680x3	1720	2372	450	632W
FR24020080**	2442	2000	800	460	3,840	620	1840	685	1920	600x3	560	650x3	620	680x3	1720	2372	650	707W

\* CABINETS WITH 2 DOORS

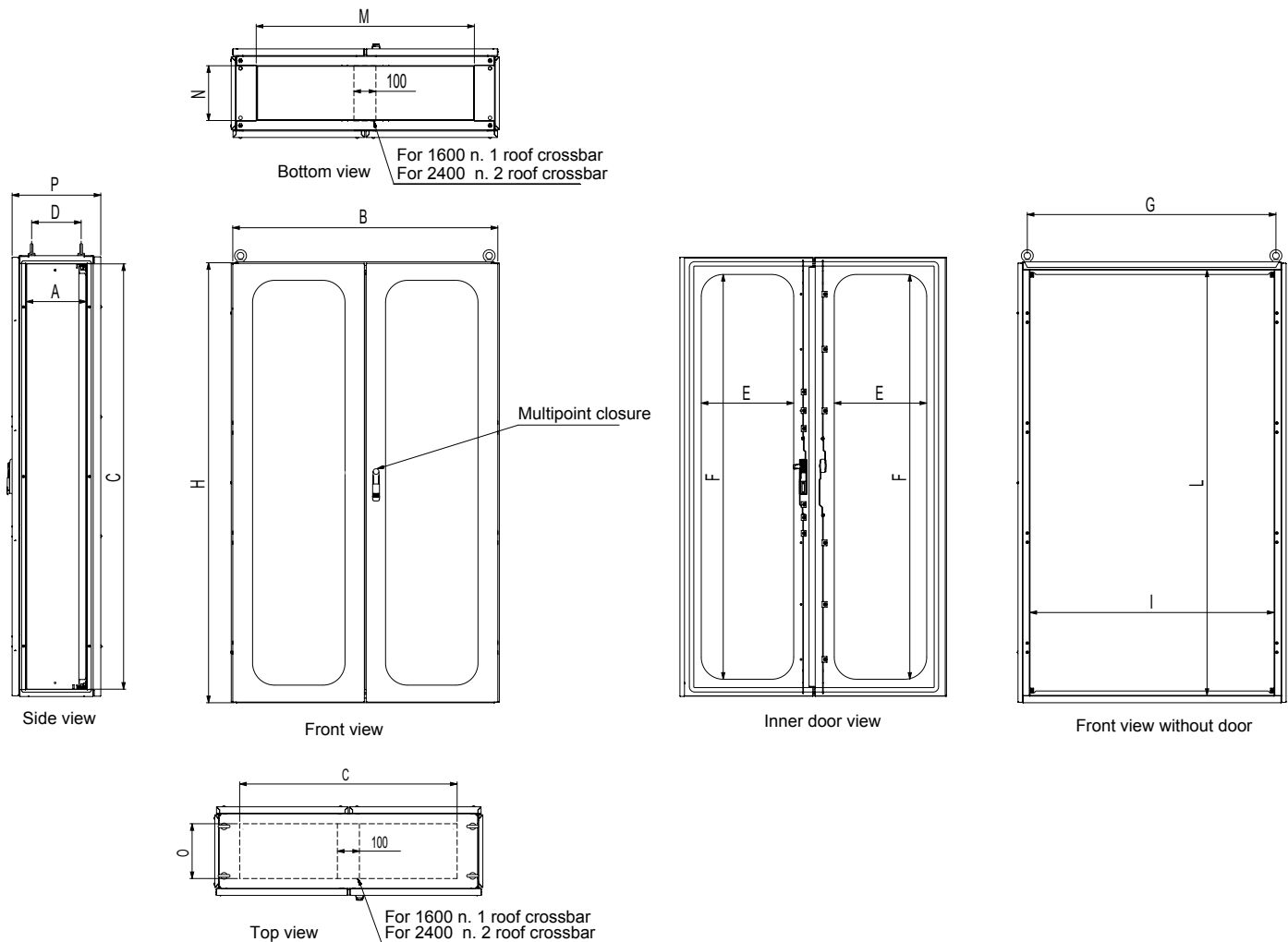
\*\* CABINETS WITH 3 DOORS



### Cabinets with 1 glazed door



### Cabinets with 2 glazed door





## FR - SOLID DOOR CABINETS

CODE	Dimensions			Weight Kg	Vol. m³	Door Accessible area		Available width for side drilling A	Clear height C	Accessible area for bottom cable entry		Top cabinet accessible area for roof drilling		Front cabinet accessible area		Eyebolts distance		Heat load dissipation
	B	H	P			E	F			M	N	C	O	I	L	G	D	
FRV4018040	414	1800	400	70	0,288	200	1640	285	1720	200	160	250	220	280	1720	344	250	135W
FRV4018050	414	1800	500	75	0,360	200	1640	385	1720	200	260	250	320	280	1720	344	350	155W
FRV4018060	414	1800	600	80	0,432	200	1640	485	1720	200	360	250	420	280	1720	344	450	173W
FRV4018080	414	1800	800	85	0,576	200	1640	685	1720	200	560	250	620	280	1720	344	650	211W
FRV6018040	614	1800	400	85	0,432	400	1640	285	1720	400	160	450	220	480	1720	544	250	173W
FRV6018050	614	1800	500	100	0,540	400	1640	385	1720	400	260	450	320	480	1720	544	350	194W
FRV6018060	614	1800	600	115	0,648	400	1640	485	1720	400	360	450	420	480	1720	544	450	214W
FRV6018080	614	1800	800	120	0,864	400	1640	685	1720	400	560	450	620	480	1720	544	650	255W
FRV8018040	814	1800	400	120	0,576	570	1640	285	1720	600	160	650	220	680	1720	744	250	211W
FRV8018050	814	1800	500	125	0,720	570	1640	385	1720	600	260	650	320	680	1720	744	350	233W
FRV8018060	814	1800	600	130	0,864	570	1640	485	1720	600	360	650	420	680	1720	744	450	255W
FRV8018080	814	1800	800	150	1,152	570	1640	685	1720	600	560	650	620	680	1720	744	650	299W
FRV10018040	1014	1800	400	170	0,720	770	1640	285	1720	800	160	850	220	880	1720	944	250	248W
FRV10018050	1014	1800	500	175	0,900	770	1640	385	1720	800	260	850	320	880	1720	944	350	272W
FRV10018060	1014	1800	600	180	1,080	770	1640	485	1720	800	360	850	420	880	1720	944	450	296W
FRV10018080	1014	1800	800	185	1,440	770	1640	685	1720	800	560	850	620	880	1720	944	650	343W
FRV12018040*	1228	1800	400	160	0,864	400	1640	285	1720	400x2	160	450x2	220	1095	1720	1158	250	286W
FRV12018050*	1228	1800	500	170	1,080	400	1640	385	1720	400x2	260	450x2	320	1095	1720	1158	350	311W
FRV12018060*	1228	1800	600	180	1,296	400	1640	485	1720	400x2	360	450x2	420	1095	1720	1158	450	337W
FRV12018080*	1228	1800	800	205	1,728	400	1640	685	1720	400x2	560	450x2	620	1095	1720	1158	650	388W
FRV16018040*	1628	1800	400	230	1,152	600	1640	285	1720	600x2	160	650x2	220	680x2	1720	1558	250	360W
FRV16018050*	1628	1800	500	245	1,440	600	1640	385	1720	600x2	260	650x2	320	680x2	1720	1558	350	389W
FRV16018060*	1628	1800	600	260	1,728	600	1640	485	1720	600x2	360	650x2	420	680x2	1720	1558	450	418W
FRV16018080*	1628	1800	800	270	2,304	600	1640	685	1720	600x2	560	650x2	620	680x2	1720	1558	650	476W
FRV24018040**	2442	1800	400	355	1,728	600	1640	285	1720	600x3	160	650x3	220	680x3	1720	2372	250	520W
FRV24018050**	2442	1800	500	370	2,160	600	1640	385	1720	600x3	260	650x3	320	680x3	1720	2372	350	546W
FRV24018060**	2442	1800	600	385	2,592	600	1640	485	1720	600x3	360	650x3	420	680x3	1720	2372	450	581W
FRV24018080**	2442	1800	800	400	3,456	600	1640	685	1720	600x3	560	650x3	620	680x3	1720	2372	650	653W
FRV4020040	414	2000	400	80	0,320	200	1840	285	1920	200	160	250	220	280	1920	344	250	129W
FRV4020050	414	2000	500	85	0,400	200	1840	385	1920	200	260	250	320	280	1920	344	350	170W
FRV4020060	414	2000	600	90	0,480	200	1840	485	1920	200	360	250	420	280	1920	344	450	190W
FRV4020080	414	2000	800	95	0,640	200	1840	685	1920	200	560	250	620	280	1920	344	650	231W
FRV6020040	614	2000	400	100	0,480	400	1840	285	1920	400	160	450	220	480	1920	544	250	190W
FRV6020050	614	2000	500	115	0,600	400	1840	385	1920	400	260	450	320	480	1920	544	350	231W
FRV6020060	614	2000	600	130	0,720	400	1840	485	1920	400	360	450	420	480	1920	544	450	235W
FRV6020080	614	2000	800	140	0,960	400	1840	685	1920	400	560	450	620	480	1920	544	650	279W
FRV8020040	814	2000	400	140	0,640	570	1840	285	1920	600	160	650	220	680	1920	744	250	231W
FRV8020050	814	2000	500	145	0,800	570	1840	385	1920	600	260	650	320	680	1920	744	350	255W
FRV8020060	814	2000	600	150	0,960	570	1840	485	1920	600	360	650	420	680	1920	744	450	279W
FRV8020080	814	2000	800	175	1,280	570	1840	685	1920	600	560	650	620	680	1920	744	650	326W
FRV10020040	1014	2000	400	180	0,800	770	1840	285	1920	800	160	850	220	880	1920	944	250	272W
FRV10020050	1014	2000	500	190	1,000	770	1840	385	1920	800	260	850	320	880	1920	944	350	298W
FRV10020060	1014	2000	600	200	1,200	770	1840	485	1920	800	360	850	420	880	1920	944	450	323W
FRV10020080	1014	2000	800	210	1,600	770	1840	685	1920	800	560	850	620	880	1920	944	650	374W
FRV12020040*	1228	2000	400	190	0,960	400	1840	285	1920	400x2	160	450x2	220	1095	1720	1158	250	313W
FRV12020050*	1228	2000	500	205	1,200	400	1840	385	1920	400x2	260	450x2	320	1095	1720	1158	350	340W
FRV12020060*	1228	2000	600	220	1,440	400	1840	485	1920	400x2	360	450x2	420	1095	1720	1158	450	367W
FRV12020080*	1228	2000	800	235	1,920	400	1840	685	1920	400x2	560	450x2	620	1095	1720	1158	650	422W
FRV16020040*	1628	2000	400	260	1,280	600	1840	285	1920	600x2	160	650x2	220	680x2	1720	1558	250	394W
FRV16020050*	1628	2000	500	280	1,600	600	1840	385	1920	600x2	260	650x2	320	680x2	1720	1558	350	425W
FRV16020060*	1628	2000	600	300	1,920	600	1840	485	1920	600x2	360	650x2	420	680x2	1720	1558	450	456W
FRV16020080*	1628	2000	800	310	2,560	600	1840	685	1920	600x2	560	650x2	620	680x2	1720	1558	650	517W
FRV24020040**	2442	2000	400	400	1,920	600	1840	285	1920	600x3	160	650x3	220	680x3	1720	2372	250	565W
FRV24020050**	2442	2000	500	425	2,400	600	1840	385	1920	600x3	260	650x3	320	680x3	1720	2372	350	595W
FRV24020060**	2442	2000	600	450	2,880	600	1840	485	1920	600x3	360	650x3	420	680x3	1720	2372	450	632W
FRV24020080**	2442	2000	800	460	3,840	600	1840	685	1920	600x3	560	650x3	620	680x3	1720	2372	650	707W

\* CABINETS WITH 2 DOORS

\*\* CABINETS WITH 3 DOORS

Armod  
Modular cabinets





## FRPC Series: Modular cabinet for PC enclosure/housing

The FRPC model computer cabinets are designed to meet the need to use computers in industrial settings while maintaining a high degree of IP protection



### DEGREE OF PROTECTION AND REFERENCE STANDARDS

IP66 IK10

89/392/EEC

EN 62208 : 2011

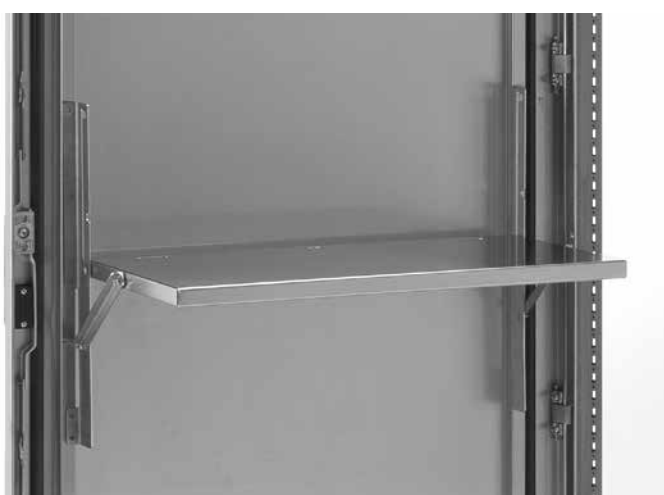
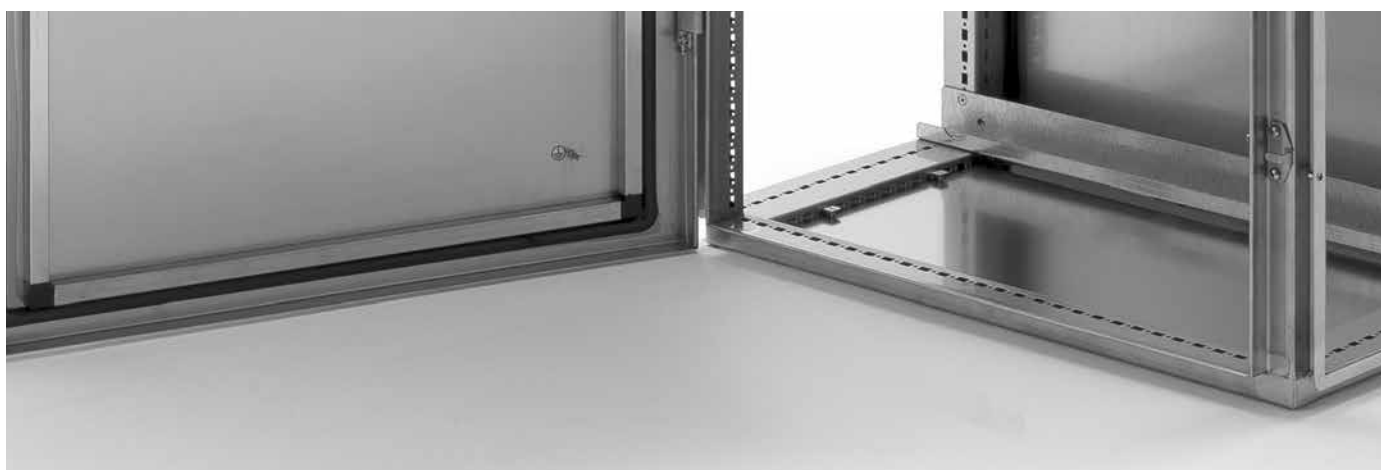
EN 60529/09.200

EN 50102/05.96



## TECHNICAL DETAILS

CODE	Description	Dimensions		
		B	H	P
FRPC6018060	Modular cabinet for PC housing	600	1800	600
FRPC6018080	Modular cabinet for PC housing	600	1800	800
FRPC6020060	Modular cabinet for PC housing	600	2000	600
FRPC6020080	Modular cabinet for PC housing	600	2000	800

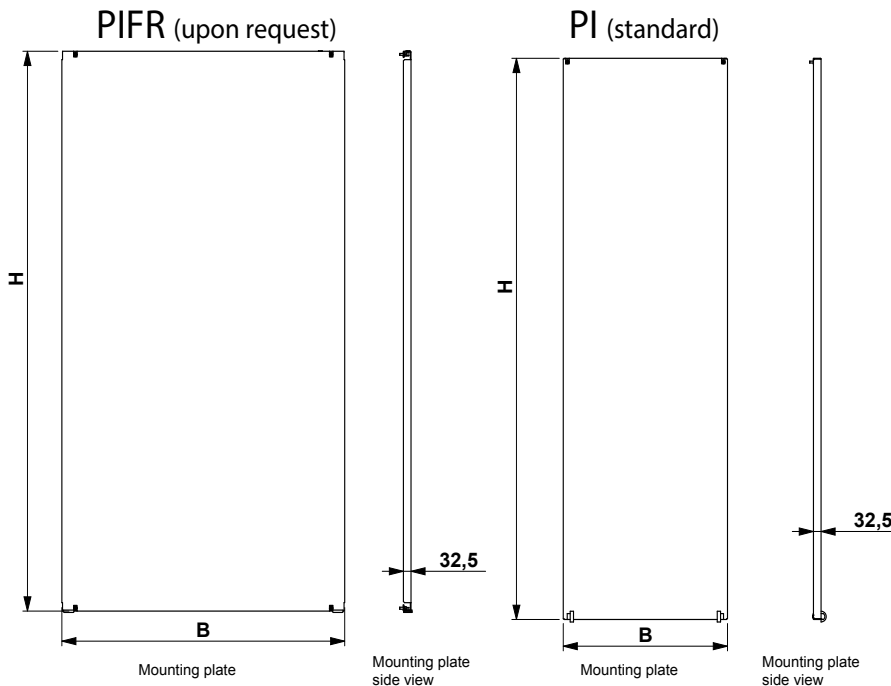




## Mounting plate

Made of galvanized steel (304L / 316L on request), with double fold 2.5mm thickness.

## Technical drawings



### TECHNICAL DETAILS

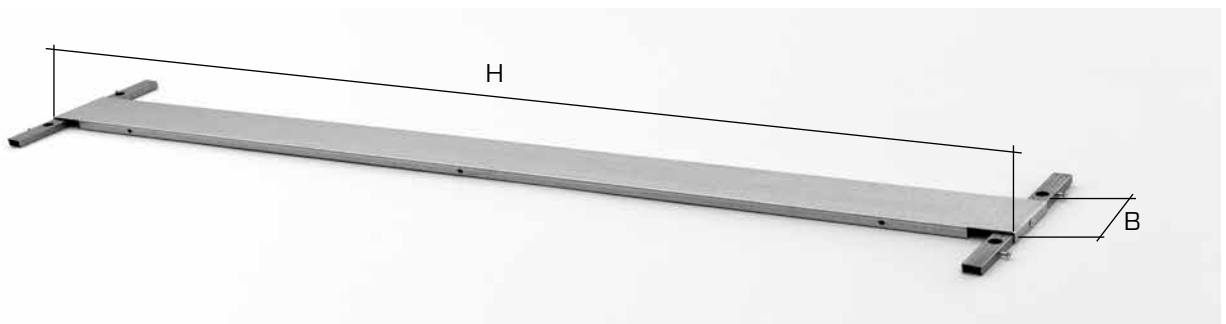
CODE	Wide mounting plate	
	B	H
PIFR40180	410	1700
PIFR60180	610	1700
PIFR80180	810	1700
PIFR100180	1010	1700
PIFR120180	1224	1700
PIFR40200	410	1900
PIFR60200	610	1900
PIFR80200	810	1900
PIFR100200	1010	1900
PIFR120200	1224	1900

CODE	Narrow mounting plate	
	B	H
PI40180	276	1700
PI60180	476	1700
PI80180	676	1700
PI100180	876	1700
PI120180	1093	1700
PI40200	276	1900
PI60200	476	1900
PI80200	676	1900
PI100200	876	1900
PI120200	1093	1900

\* Note: on request on the FR and FRV range it is possible to mount the PIFR wider plate which however is not compatible with the intermediate plate (PIA) and depth profiles (TPA) accessories, therefore it is mandatory to use the standard PI plate.

## PIA: Partial plate

Partial plate made in galvanized steel to join the narrow plates



### TECHNICAL DETAILS

CODE	Description	Dimensions	
		B	H
PIA1800	PIA H1800 for narrow mounting plate	140	1700
PIA2000	PIA H2000 for narrow mounting plate	140	1900
PIAFR	Joint for large mounting plate	300	-



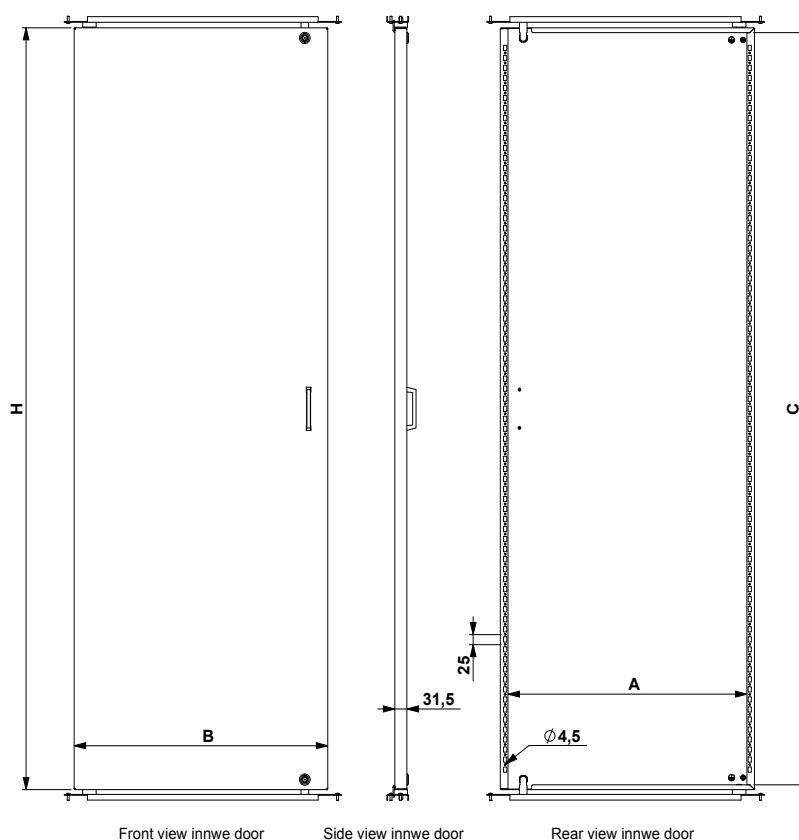
### TC: Inner door

1.5 mm thickness AISI 304L, bent on the longer sides, 25 mm internal spacing drill. Inner door adjustable in depth by 25 mm spacing.

As option: AISI 316L



### Technical drawings

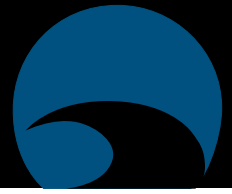


\* 2 DOUBLE LEAF DOORS ON A CENTRAL UPRIGHT

Armod  
Modular cabinets

#### TECHNICAL DETAILS

CODE	CODE rif. FR	Inner door dimensions		Available area for inner door drilling	
		B	H	A	C
TC60180	FR6018050 / 60 / 80	480	1700	435	1676
TC80180	FR8018050 / 60 / 80	680	1700	635	1676
TC100180	FR10018050 / 60 / 80	880	1700	835	1676
TC120180	FR12018050 / 60 / 80	475x2*	1700	435x2	1676
TC160180	FR16018050 / 60 / 80	675x2*	1700	635x2	1676
TC60200	FR6020050 / 60 / 80	480	1900	435	1876
TC80200	FR8020050 / 60 / 80	680	1900	635	1876
TC100200	FR10020050 / 60 / 80	880	1900	835	1876
TC120200	FR12020050 / 60 / 80	475x2*	1900	435x2	1876
TC160200	FR16020050 / 60 / 80	675x2*	1900	635x2	1876

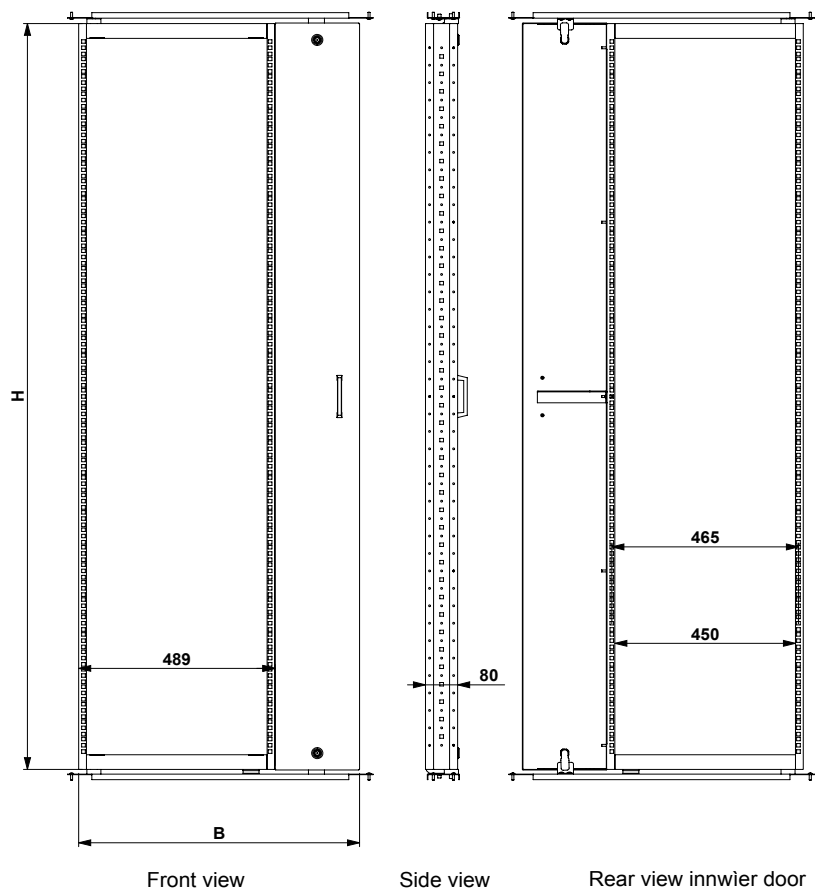


### TR: 19" Rack support frame

1.5mm thickness AISI 304L, 19" rack support frame which is fixed for B600 models, swivel for B800 and B1000 models. Rack supporting frame is adjustable in depth with 25mm spacing. Available on request in AISI 316L.



### Technical drawings



#### TECHNICAL DETAILS

CODE	Dimensions 19" frame rack	
	B	H
TR60180	500	1700
TR80180	700	1700
TR100180	900	1700
TR60200	500	1900
TR80200	700	1900
TR100200	900	1900

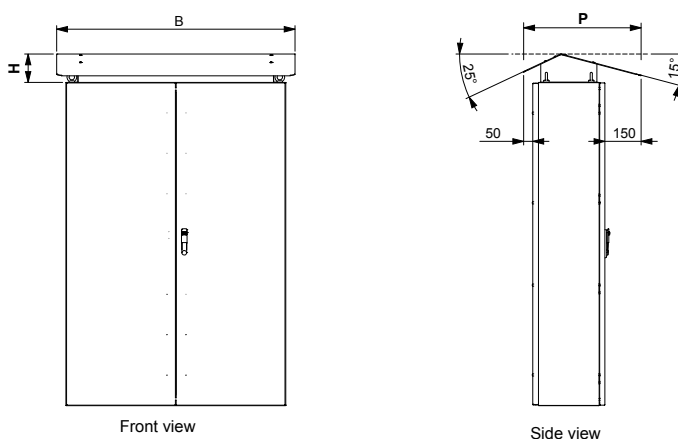


### TPA: Rain canopy

In outdoor settings, protection canopy can be installed to ensure greater protection against atmospheric agents. As standard made of AISI 304L, as option : AISI 316L



### Technical drawings



#### TECHNICAL DETAILS

CODE	Description	Dimensions		
		B	H	P
TPA4040	Rain canopy series FR	500	160	600
TPA4050	Rain canopy series FR	500	160	700
TPA4060	Rain canopy series FR	500	160	800
TPA4080	Rain canopy series FR	500	160	1000
TPA6040	Rain canopy series FR	700	160	600
TPA6050	Rain canopy series FR	700	160	700
TPA6060	Rain canopy series FR	700	160	800
TPA6080	Rain canopy series FR	700	160	1000
TPA8040	Rain canopy series FR	900	160	600
TPA8050	Rain canopy series FR	900	160	700
TPA8060	Rain canopy series FR	900	160	800
TPA8080	Rain canopy series FR	900	160	1000
TPA10040	Rain canopy series FR	1100	160	600
TPA10050	Rain canopy series FR	1100	160	700
TPA10060	Rain canopy series FR	1100	160	800
TPA10080	Rain canopy series FR	1100	160	1000
TPA12040	Rain canopy series FR	1300	160	600
TPA12050	Rain canopy series FR	1300	160	700
TPA12060	Rain canopy series FR	1300	160	800
TPA12080	Rain canopy series FR	1300	160	1000
TPA16040	Rain canopy series FR	1700	160	600
TPA16050	Rain canopy series FR	1700	160	700
TPA16060	Rain canopy series FR	1700	160	800
TPA16080	Rain canopy series FR	1700	160	1000
TPA24040	Rain canopy series FR	2500	160	600
TPA24050	Rain canopy series FR	2500	160	700
TPA24060	Rain canopy series FR	2500	160	800
TPA24080	Rain canopy series FR	2500	160	1000



### TM: Modular frame + panels

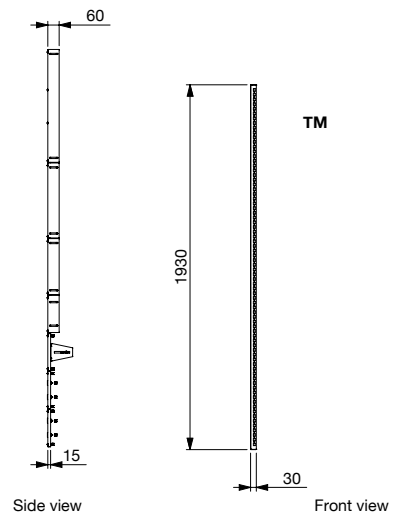
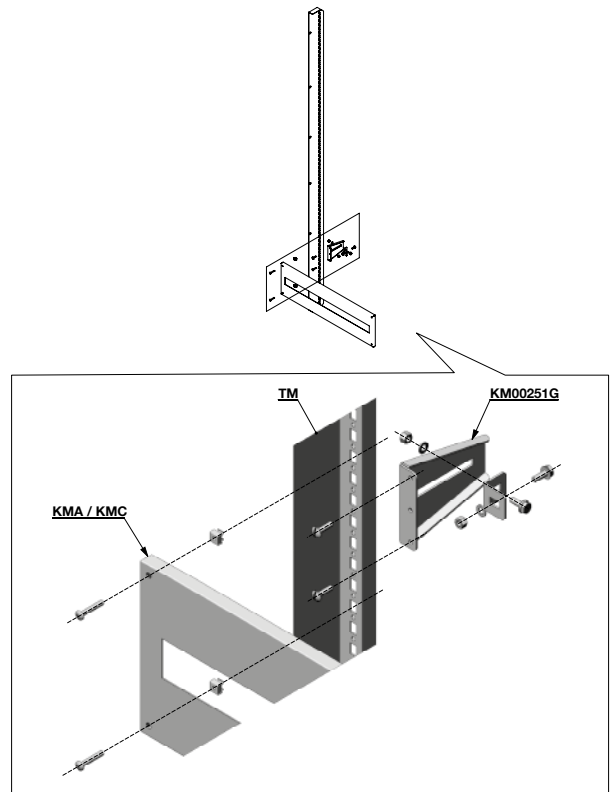
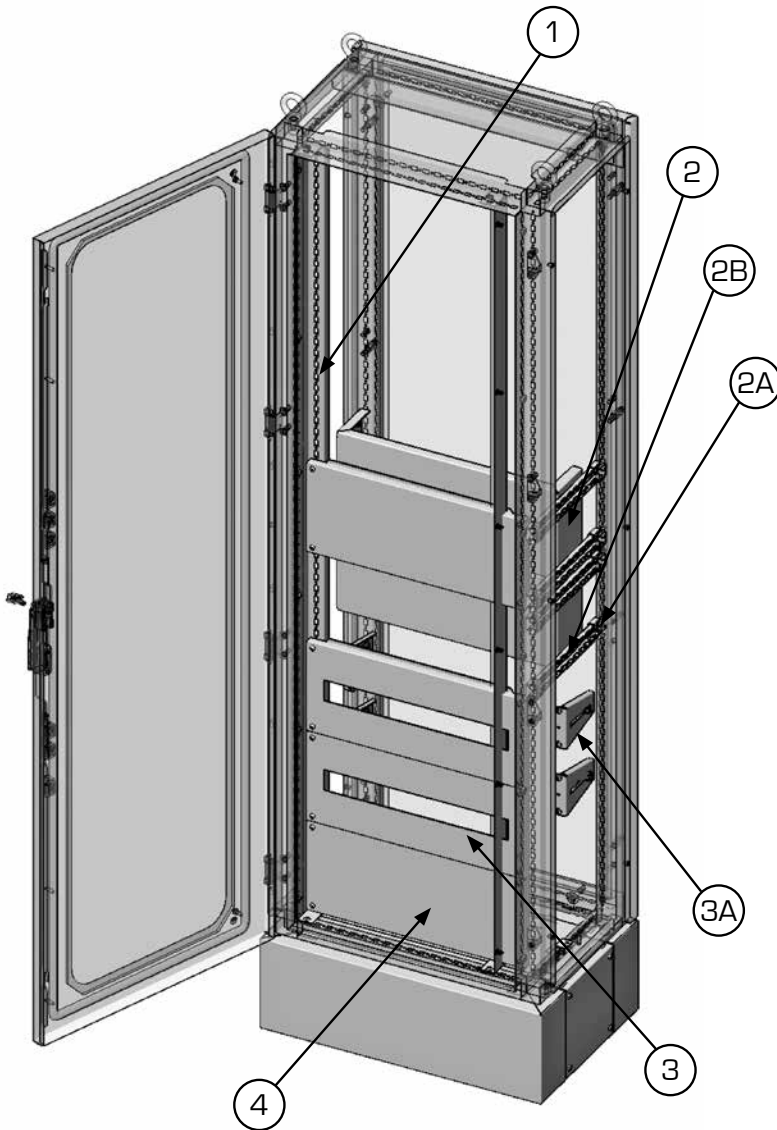


#### TECHNICAL DETAILS

CODE	Description	Dimensions		Weight Kg	N. Modules
		B	H		
<b>TM1800</b>	Modular frame kit serie FR	30	1730	5,00	
<b>TM2000</b>	Modular frame kit serie FR	30	1930	7,00	
<b>KMA6020 / KMC6020</b>	KMA open panel / KMC solid panel	475	200	1,00	22
<b>KMA6030 / KMC6030</b>	KMA open panel / KMC solid panel	475	300	1,20	22
<b>KMA6040 / KMC6040</b>	KMA open panel / KMC solid panel	475	400	1,50	22
<b>KMA6060 / KMC6060</b>	KMA open panel / KMC solid panel	475	600	2,50	22
<b>KMA8020 / KMC8020</b>	KMA open panel / KMC solid panel	675	200	1,20	30
<b>KMA8030 / KMC8030</b>	KMA open panel / KMC solid panel	675	300	1,50	30
<b>KMA8040 / KMC8040</b>	KMA open panel / KMC solid panel	675	400	2	30
<b>KMA8060 / KMC8060</b>	KMA open panel / KMC solid panel	675	600	3	30
<b>KMA10020 / KMC10020</b>	KMA open panel / KMC solid panel	775	200	2	42
<b>KMA10030 / KMC10030</b>	KMA open panel / KMC solid panel	775	300	2,5	42
<b>KMA10040 / KMC10040</b>	KMA open panel / KMC solid panel	775	400	3	42
<b>KMA10060 / KMC10060</b>	KMA open panel / KMC solid panel	775	600	4,5	42
<b>KM00251G</b>	Modular frame kit serie FR	-	-		
<b>KMP6020</b>	Partial plate	480	200	2,5	
<b>KMP6030</b>	Partial plate	480	300	3	
<b>KMP6040</b>	Partial plate	480	400	4	
<b>KMP6060</b>	Partial plate	480	600	5	
<b>KMP8020</b>	Partial plate	680	200	3,5	
<b>KMP8030</b>	Partial plate	680	300	4	
<b>KMP8040</b>	Partial plate	680	400	5	
<b>KMP8060</b>	Partial plate	680	600	6	
<b>KMP10020</b>	Partial plate	880	200	4	
<b>KMP10030</b>	Partial plate	880	300	5	
<b>KMP10040</b>	Partial plate	880	400	6,5	
<b>KMP10060</b>	Partial plate	880	600	7,5	
<b>KMC605</b>	Compensation solid panel	475	50		
<b>KMC805</b>	Compensation solid panel	675	50		
<b>KMC1005</b>	Compensation solid panel	775	50		

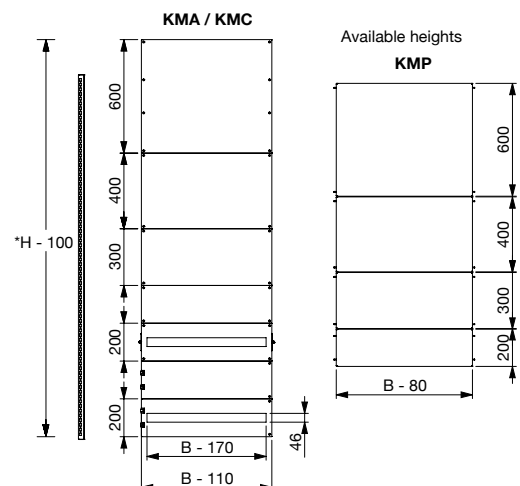


### Technical drawings



#### TECHNICAL DETAILS

	POS.	CODE	Description	Q.TA'
MANDATORY	1	TM1800	FRAME KIT MODULAR FR H1800	1
MATCHING WITH	2	KMP6020	PARTIAL PLATE L600 H200	2
MATCHING WITH	3	KMA6020	OPEN MODULAR PANEL B600XH200	2
MATCHING WITH	4	KMC6020	SOLID PANEL B600XH200	3
MATCHING WITH	2B	TPA00400	DEPTH PROFILE NEW P400	1
MATCHING WITH	3A	KM00251G	MODULES FIXING BRA- CKET ARMOD-ZN	2
MATCHING WITH	2A	KM00260	ANGULAR KIT PROFILES FR H25	2



\* The total height of the panels must be: H cabinet - 100 mm AACG

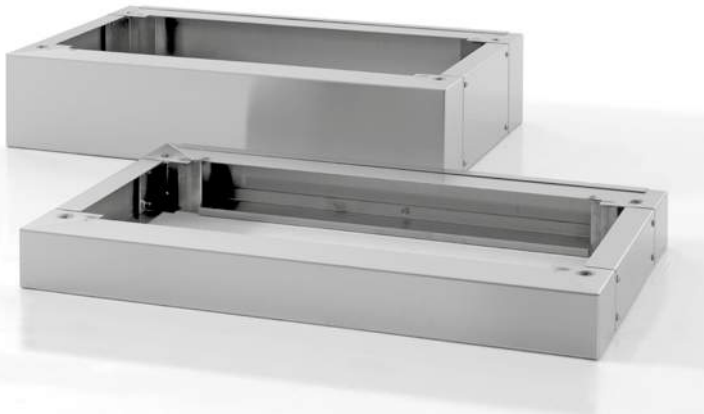




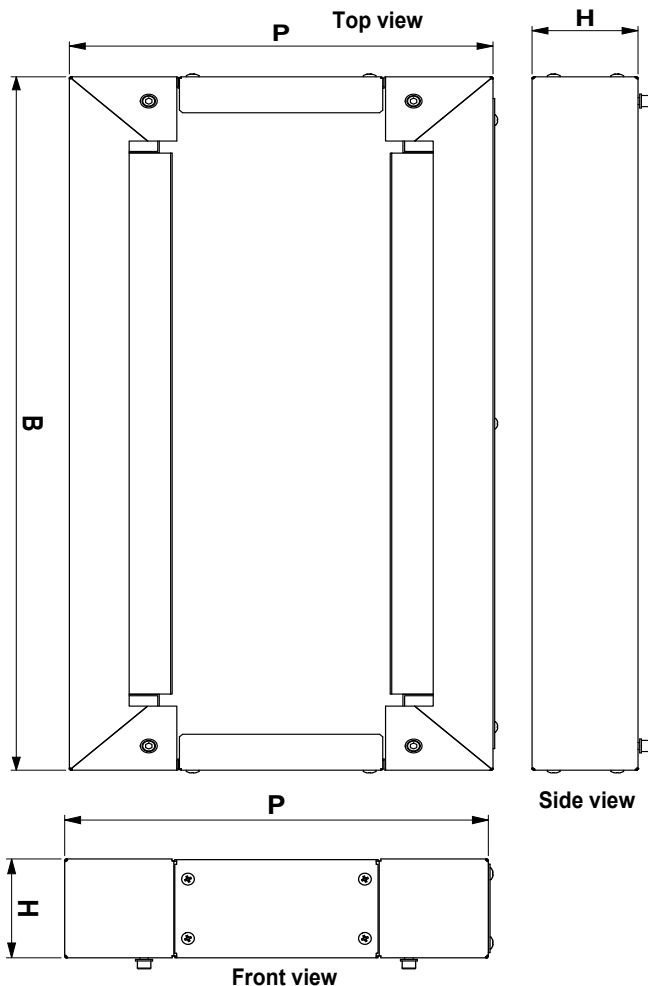
### FZ: Plinths

The FZ plinth is made of stainless steel, to provide a floor mounting.

Heights can be: H100 or H200mm. The plinth can be inspected on the sides with openings on the bottom. In very adverse settings, where maximum protection from atmospheric agents is required, the H100 and H200 sizes can be installed with the hygienic FZ3.S plinth with closed bottom; can be inspected through flanged sides.



### Technical drawings



### TECHNICAL DETAILS

CODE	Dimensions		
	B	H	P
FZ3401040	400	100	400
FZ3401050	400	100	500
FZ3401060	400	100	600
FZ3401080	400	100	800
FZ3601040	600	100	400
FZ3601050	600	100	500
FZ3601060	600	100	600
FZ3601080	600	100	800
FZ3801040	800	100	400
FZ3801050	800	100	500
FZ3801060	800	100	600
FZ3801080	800	100	800
FZ31001040	1000	100	400
FZ31001050	1000	100	500
FZ31001060	1000	100	600
FZ31001080	1000	100	800
FZ31201040	1200	100	400
FZ31201050	1200	100	500
FZ31201060	1200	100	600
FZ31201080	1200	100	800
FZ31601040	1600	100	400
FZ31601050	1600	100	500
FZ31601060	1600	100	600
FZ31601080	1600	100	800
FZ32401040	2400	100	400
FZ32401050	2400	100	500
FZ32401060	2400	100	600
FZ32401080	2400	100	800
FZ3402040	400	200	400
FZ3402050	400	200	500
FZ3402060	400	200	600
FZ3402080	400	200	800
FZ3602040	600	200	400
FZ3602050	600	200	500
FZ3602060	600	200	600
FZ3602080	600	200	800
FZ3802040	800	200	400
FZ3802050	800	200	500
FZ3802060	800	200	600
FZ3802080	800	200	800
FZ31002040	1000	200	400
FZ31002050	1000	200	500
FZ31002060	1000	200	600
FZ31002080	1000	200	800
FZ31202040	1200	200	400
FZ31202050	1200	200	500
FZ31202060	1200	200	600
FZ31202080	1200	200	800
FZ31602040	1600	200	400
FZ31602050	1600	200	500
FZ31602060	1600	200	600
FZ31602080	1600	200	800
FZ32402040	2400	200	400
FZ32402050	2400	200	500
FZ32402060	2400	200	600
FZ32402080	2400	200	800

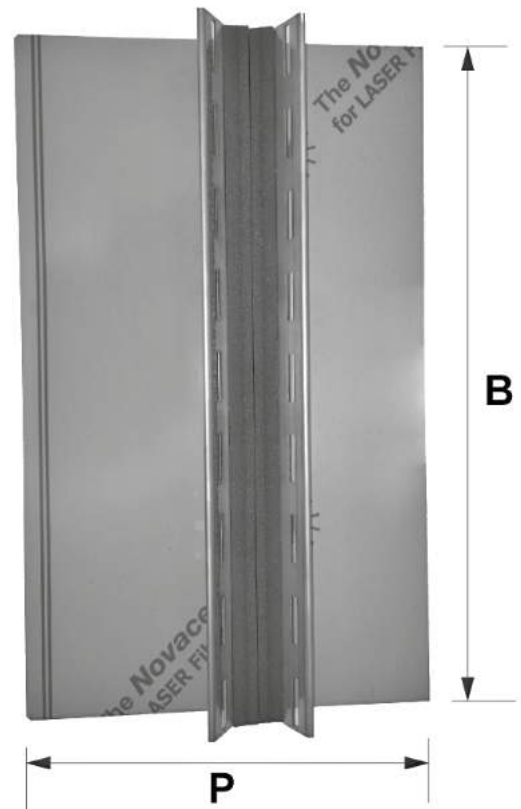


### FLG: Double entry flange

As an alternative to the standard cable gland plate, is available a double cable entry flange, made in two parts with a sealing gasket, which makes easier the cable entry. Its use is recommended in combination with the hygienic base. They are AISI 304L or AISI 316L.

#### TECHNICAL DETAILS

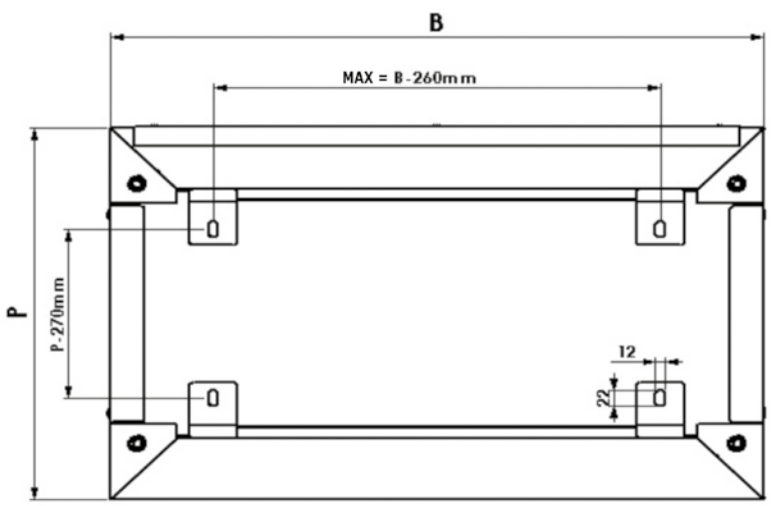
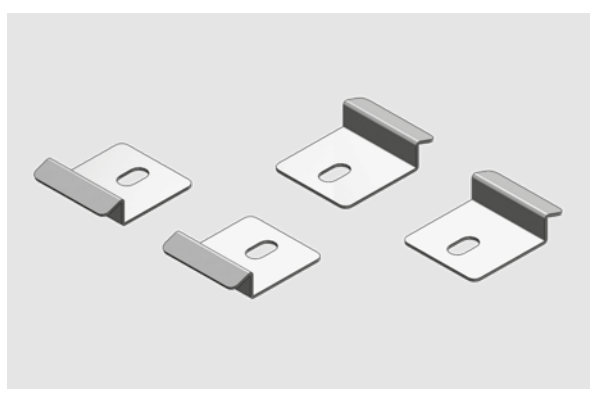
CODE	Description	Dimensions	
		B	P
FLG4040R	Double entry flange serie FR	290	200
FLG4050R	Double entry flange serie FR	290	300
FLG4060R	Double entry flange serie FR	290	400
FLG4080R	Double entry flange serie FR	290	600
FLG6040R	Double entry flange serie FR	490	200
FLG6050R	Double entry flange serie FR	490	300
FLG6060R	Double entry flange serie FR	490	400
FLG6080R	Double entry flange serie FR	490	600
FLG8040R	Double entry flange serie FR	690	200
FLG8050R	Double entry flange serie FR	690	300
FLG8060R	Double entry flange serie FR	690	400
FLG8080R	Double entry flange serie FR	690	600
FLG10040R	Double entry flange serie FR	890	200
FLG10050R	Double entry flange serie FR	890	300
FLG10060R	Double entry flange serie FR	890	400
FLG10080R	Double entry flange serie FR	890	600



### KFZP: Floor plinth fixing kit

The KFZP Kit cannot be used when the plinth is mounted on a FZ ... S hygienic base. For these plinths please use the feet anchors.

#### Technical drawings

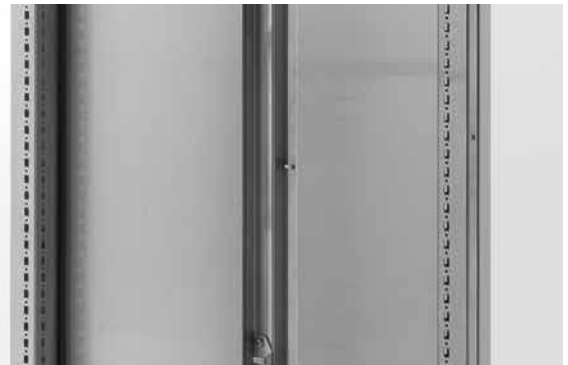
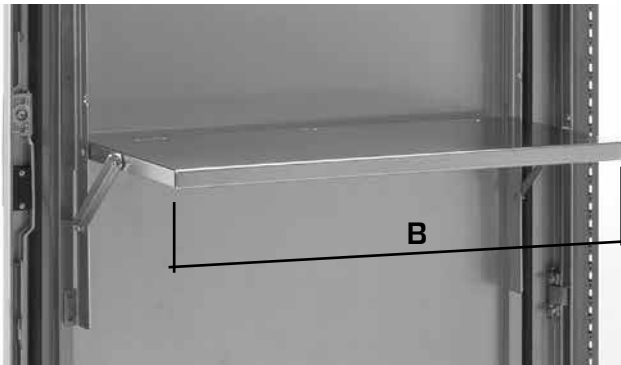


Top view



### PL: Component shelves

Mounted on tubular frames, shelves offer a large supporting surface. Quick positioning, to be tilted after use. AISI 304L, as option: AISI 316L.

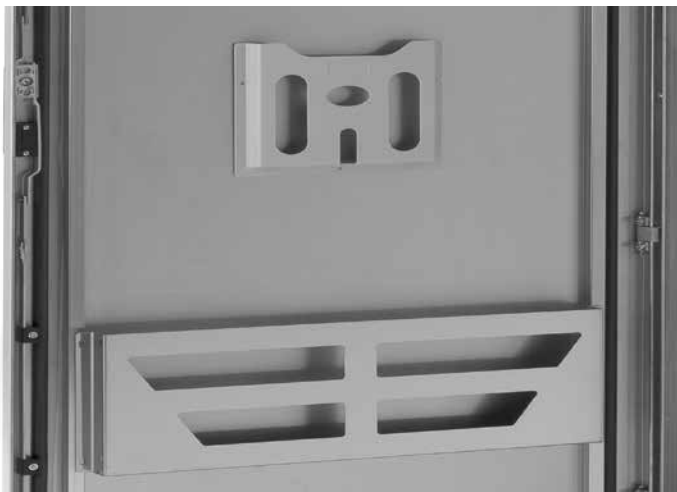


#### TECHNICAL DETAILS

CODE	Description	Dimensions	
		B	Q. tà
PL600	Work top B600	600	1
PL800	Work top B800	800	1
PL1000	Work top B1000	1000	1

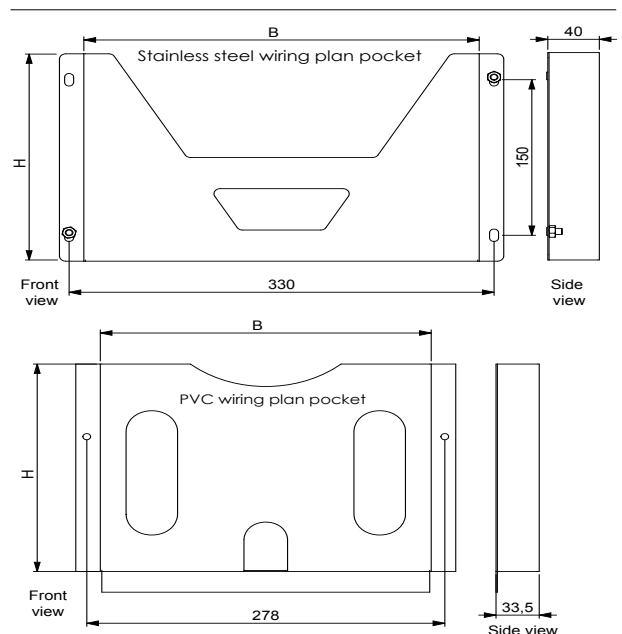
### TS: wiring plan pocket

Internal pockets suitable for A3 / A4 format documents. Available in stainless.steel and PVC.



\* They are fixed on the door frame

### Technical drawings



#### TECHNICAL DETAILS

CODE	Description	Dimensions	
		B	P
TS00030	PVC wiring plan pocket A4	210	300
TS00010	Stainless.st. wiring plan pocket A4	210	300
*TS00400	Stainless.st. wiring plan pocket B400	400	250
*TS00600	Stainless.st. wiring plan pocket B600	600	250
*TS00800	Stainless .st. wiring plan pocket B800	800	250
*TS01000	Stainless.st. wiring plan pocket B1000	1000	250



### PDP: Feet for plinth

In combination with plinths or floor supports, there are jointed feet with a reinforced polyamide base, 80mm diameter and M12 - M16 - M20 stainless steel leg; or 60mm diameter made in stainless steel adjustable in two heights. The code PDP00060 is provided with a flange for fixing to the floor.



TECHNICAL DETAILS	
CODE	Description
PDP00050	Kit 4 feet Ø 60mm M12 stainless steel 105 - 165
PDP00060	Kit 4 feet Ø 60mm M12 st.st. H95 - 165 with ground fixing
PDP00070	Kit 4 feet Ø 60mm M12 st.st. H140 - 210
PDP00100	Foot M16xH230 with polyamide base
PDP00111	Foot M20xH260 with polyamide base
PDP00112	Foot M12xH85 with polyamide base

### CF: Pair of side panels



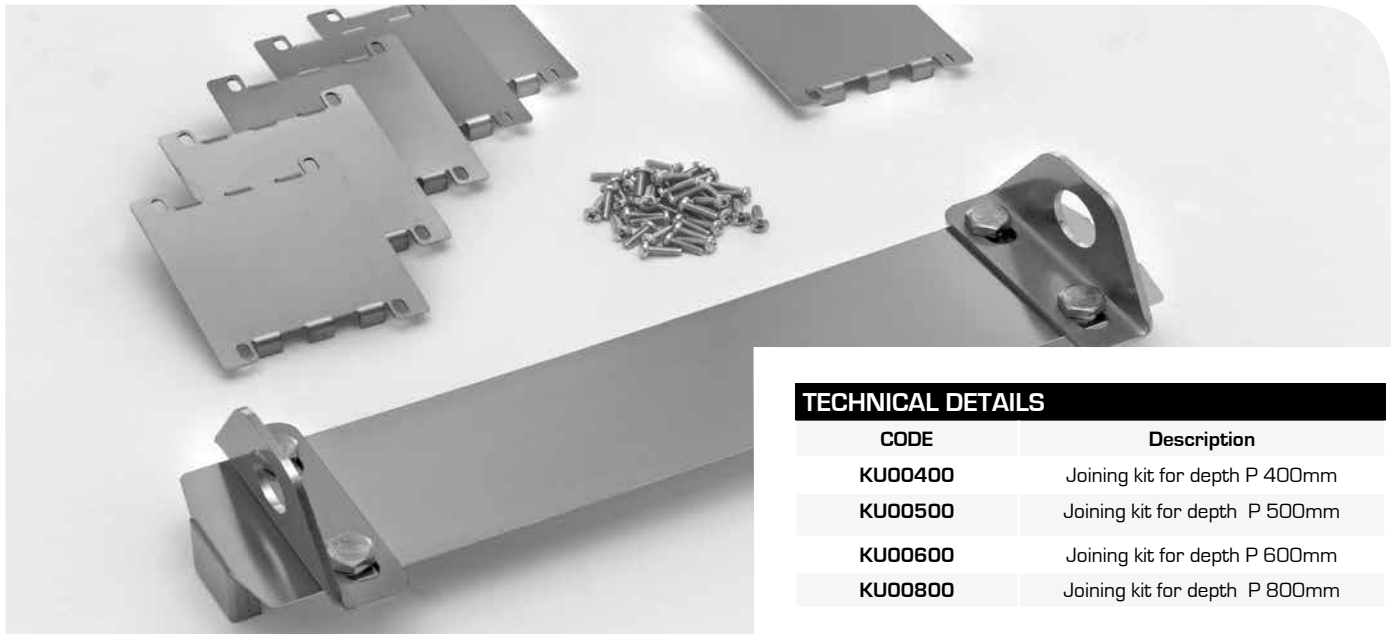
Stainless steel side panels with expanded polyurethane gasket for side closing of the FR series cabinets

TECHNICAL DETAILS			
CODE	Description	Dimensions	
		B	H
CF40180	Pair of side panels FR	400	1800
CF50180	Pair of side panels FR	500	1800
CF60180	Pair of side panels FR	600	1800
CF80180	Pair of side panels FR	800	1800
CF40200	Pair of side panels FR	400	2000
CF50200	Pair of side panels FR	500	2000
CF60200	Pair of side panels FR	600	2000
CF80200	Pair of side panels FR	800	2000



### KU: Joining kit

Kit for joining multiple modules of FR series cabinets into one body. The kit includes locking squares to be inserted between the uprights, lifting bracket, sealing gasket and top cover.



#### TECHNICAL DETAILS

CODE	Description
KU00400	Joining kit for depth P 400mm
KU00500	Joining kit for depth P 500mm
KU00600	Joining kit for depth P 600mm
KU00800	Joining kit for depth P 800mm

### PSO/PSV: separation wall Vertical /horizontal

The horizontal separation panel provides inner compartments  
The vertical separation panel is designed to be inserted between the coupled modules to provide a partition between them.  
They are made of galvanized steel, on request they can be made of AISI 304L and AISI 316L.



#### TECHNICAL DETAILS

CODE	Dimensions	
	B	P
PS004040	400	400
PS004050	400	500
PS004060	400	600
PS004080	400	800
PS006040	600	400
PS006050	600	500
PS006060	600	600
PS006080	600	800
PS008040	800	400
PS008050	800	500
PS008060	800	600
PS008080	800	800
PS010040	1000	400
PS010050	1000	500
PS010060	1000	600
PS010080	1000	800
PSV40180	400	1800
PSV50180	500	1800
PSV60180	600	1800
PSV80180	800	1800
PSV40200	400	2000
PSV50200	500	2000
PSV60200	600	2000
PSV80200	800	2000



### Bars kit

Bars are designed for depth, width, height mounting and door frames installation in order to provide different type of inner structures for instrument housing. All the profiles are drilled with 25mm spacing.



#### TECHNICAL DETAILS

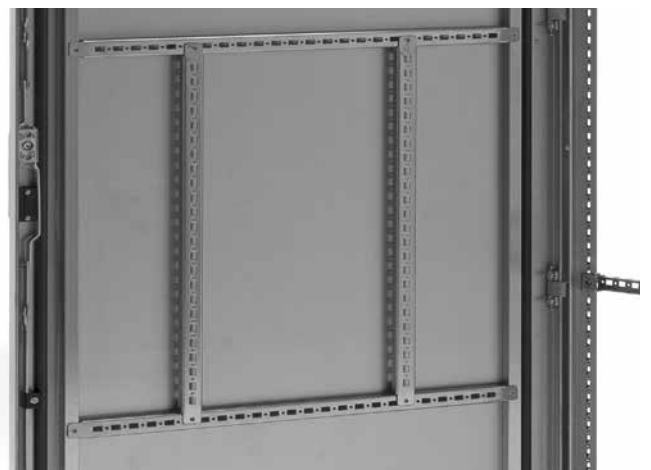
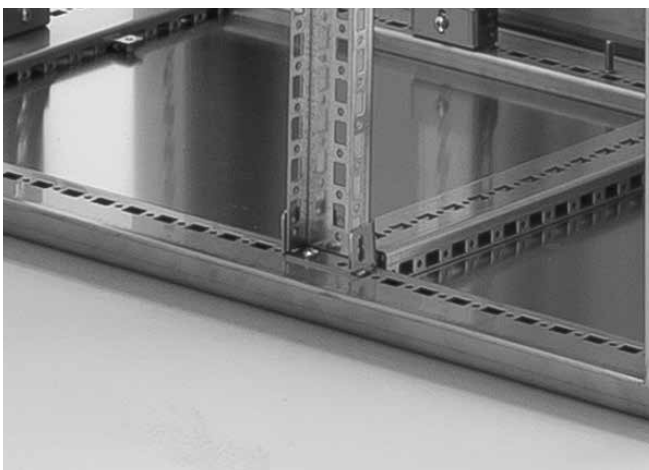
CODE	Description	Q.tà
TAA1800	Set of height profile H1800	2
TAA2000	Set of height profile H2000	2

CODE	Description	Q.tà
TLA00400	Set of width profile B400	2
TLA00600	Set of width profile B600	2
TLA00800	Set of width profile B800	2
TLA01000	Set of width profile B1000	2

CODE	Description	Q.tà
TPA00400	Set of depth profile P400	4
TPA00500	Set of depth profile P500	4
TPA00600	Set of depth profile P600	4
TPA00800	Set of depth profile P800	4

CODE	Description	Q.tà
TPP00600	Set of door profile B 600	4
TPP00800	Set of door profile B 800	4
TPP01000	Set of door profile B 1000	4

CODE	Description	Q.tà
KM00260	Set of angular pieces H 25	4
KM00265	Set of angular pieces H 50 for fixing the TAA codes	4





### PP/PPT: Inspection-Protection windows

Used to assure protection of the controls, the PPT windows are provided with a stainless steel frame, with direct fixing of the PP windows. The doors of the windows have a glued lexan on the door, as well as a sealing gasket and a Yale lock wing type.



#### TECHNICAL DETAILS

CODE	Description	Dimensions		
		B	H	P
PP300300	Window with direct fastening	300	300	55
PP400400	Window with direct fastening	400	400	55
PP450450	Window with direct fastening	450	450	55
PP500500	Window with direct fastening	500	500	55
PP500750	Window with direct fastening	500	750	55
PP600800	Window with direct fastening	600	800	55
PPT400400	Window with frame	400	400	95
PPT450450	Window with frame	450	450	95
PPT500500	Window with frame	500	500	95
PPT500750	Window with frame	500	750	95
PPT600800	Window with frame	600	800	95



### VC: Cable compartment

Designed to allow cables to be installed into the upper part of the cabinet, H200mm with side and rear inspections, as an option a front opening is available.

TECHNICAL DETAILS				
CODE	Description	Dimensions		
		B	H	P
VC3402040	cable compartment inspection on 3 sides	400	200	400
VC3402050	cable compartment inspection on 3 sides	400	200	500
VC3402060	cable compartment inspection on 3 sides	400	200	600
VC3402080	cable compartment inspection on 3 sides	400	200	800
VC3602040	cable compartment inspection on 3 sides	600	200	400
VC3602050	cable compartment inspection on 3 sides	600	200	500
VC3602060	cable compartment inspection on 3 sides	600	200	600
VC3602080	cable compartment inspection on 3 sides	600	200	800
VC3802040	cable compartment inspection on 3 sides	800	200	400
VC3802050	cable compartment inspection on 3 sides	800	200	500
VC3802060	cable compartment inspection on 3 sides	800	200	600
VC3802080	cable compartment inspection on 3 sides	800	200	800
VC31002040	cable compartment inspection on 3 sides	1000	200	400
VC31002050	cable compartment inspection on 3 sides	1000	200	500
VC31002060	cable compartment inspection on 3 sides	1000	200	600
VC31002080	cable compartment inspection on 3 sides	1000	200	800
VC31202040	cable compartment inspection on 3 sides	1200	200	400
VC31202050	cable compartment inspection on 3 sides	1200	200	500
VC31202060	cable compartment inspection on 3 sides	1200	200	600
VC31202080	cable compartment inspection on 3 sides	1200	200	800
VC31602040	cable compartment inspection on 3 sides	1600	200	400
VC31602050	cable compartment inspection on 3 sides	1600	200	500
VC31602060	cable compartment inspection on 3 sides	1600	200	600
VC31602080	cable compartment inspection on 3 sides	1600	200	800
VC32402040	cable compartment inspection on 3 sides	2400	200	400
VC32402050	cable compartment inspection on 3 sides	2400	200	500
VC32402060	cable compartment inspection on 3 sides	2400	200	600
VC32402080	cable compartment inspection on 3 sides	2400	200	800

Armod  
Modular cabinets

### FIT: Mechanical interlock

Security system that allows the locking of the outer doors of a row of FR cabinets , by means of just one main lock.

TECHNICAL DETAILS				
CODE	Description	Dimensions		Q.ty Nr.
		B	H	
FIT0000	Supports and rod slides	-		1
FIT600	Rod for cabinet B600	600		1
FIT800	Rod for cabinet B800	800		1
FIT1000	Rod for cabinet B1000	1000		1
FIT1200	Rod for cabinet B1200	1200		1
FIT1600	Rod for cabinet o B1600	1600		1